

GENERAL REPAIR

Complete Your Shop With
Coats Equipment



885 WHEEL BALANCER



Automatic Wheel Data Entry



Direct Tape-A-Weight™ Placement



Auto Start Hood

885 WHEEL BALANCER

To learn more about Coats products, contact your authorized Coats distributor for the dealer nearest you.

COATS®

CONTACT US NOW

www.coatsgarage.com
or call 1-855-876-3864

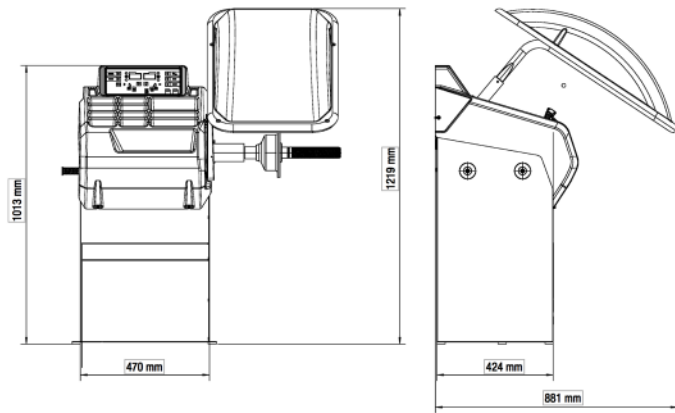


885 WHEEL BALANCER

SPECIFICATIONS

Balancing Modes	5
Behind Spoke Mode	Yes
Wheel Diameter Range	10" - 30"
Wheel Width Range	2" - 16"
Maximum Tire Diameter	Up to 38"
Maximum Tire Weight	130 lbs.
Shaft Diameter	40 mm
Interface	LED Matrix with Soft Touch Keys
Automatic Data Entry	Distance/Diameter/Width
Auto Brake	Yes
Auto Lock	Yes
Auto Start	On Hood Close
Electrical Requirements	110V, 1 ph, 50/60 Hz, 3 amp
Footprint	48"w x 18"d x 35"h
Ship Weight	242 lbs.
Warranty	1 Year Parts, 6 Months Labor
Part Number	800885

EQUIPMENT FOOTPRINT



ACCESSORIES

Included With Purchase

Part Number	Description
8112098	Small A Cone
8112099	Medium B Cone
8112100	Large C Cone
8112101	Light Truck D Cone
8113175	Premium Wheel Weight Hammer
8309011	Calipers
8112103	Hub Nut
8112106	Small Pressure Drum w/Ring
8112421	Short Cone

RECOMMENDED OPTIONAL ACCESSORIES



2-Jaw Slide Nut
Kit
(PN 85009998)

In-between Cone
Set
(PN 8113795)



Light Truck Cone
Kit
(PN 8113277C)

coats