

# TIRE DEALERS

# Maximize Uptime With The Industry's Most Durable Products

## 90X RIM CLAMP® TIRE CHANGER

For When Your Customers Demand  
The Very Best



### Two-Speed Electric Motor



One-Speed

Two-Speed

The Coats® two-speed electric motor provides total control based on application difficulty.

### Leverless Duckhead® Mount/Demount Tool



This feature acts as a traditional helper device and eliminates traditional tire tools that can mar the surface due to application difficulty.

### RoboRoller™ Powered Assist



The RoboRoller® provides additional power when mounting difficult tire assemblies by preventing the bead from rolling back over the mount tool.

To learn more about the Coats 90X tire changer, or any of our other quality products, contact your authorized Coats distributor or call **1-855-876-3864** for the dealer nearest you.

# COATS®

## CONTACT US NOW

[www.coatsgarage.com](http://www.coatsgarage.com)  
or call 1-855-876-3864



90X RIM CLAMP® TIRE CHANGER

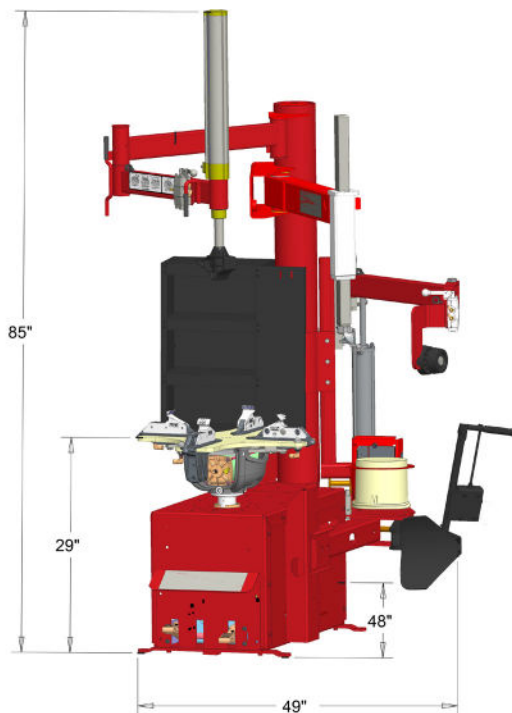
# 90X RIM CLAMP® TIRE CHANGER

## YOUR COMPLETE GO-TO MACHINE

### SPECIFICATIONS

|                         |  |
|-------------------------|--|
| Wheel Handled           | Alloy and Steel for Car and Light Truck  |
| Rim Diameter            | 6" - 28" External  |
| Maximum Tire Diameter   | 50" Max  |
| Maximum Rim Width       | 14" Max  |
| Bead Loosening System   | Hand or Foot Control, Up to 14" Wide   |
| Wheel Clamping System   | 4 Clamps, Air Cylinder Operated  |
| Mount/Demount Mechanism | Swings Away for Better Access and Durability   |
| Helper Devices          | Robo-Arm® (18" of Automated Vertical Stroke)<br>RoboRoller™<br>Leverless Bead Lifter |
| Bead Seating Air Volume | Vertical 5.4 Gallons in Tower  |
| Inflation Gauge         | 0 - 60 psi   |
| Air Supply Gauge        | 0 - 300 psi  |
| Air Drive System        | 1.5 HP Air Motor, 110 - 175 psi, 15 scfm (Air Model Only)                            |
| Electric Drive System   | 1 HP, 2-Speed Electric Motor, 115 V, 60 Hz, 15amp (Electric Model Only)              |
| Footprint               | 49"w x 48"d x 85"h   |
| Ship Weight             | 800 lbs.   |
| Warranty                | 3 Year Parts, 6 Months Labor   |
| Part Number             | Air Model: 80090XAHL<br>Electric Model: 80090XEHL                                    |

### EQUIPMENT FOOTPRINT



### ACCESSORIES

\* Included With Purchase

| Part Number | Description  |
|-------------|--|
| *8183606    | Bead Loosener Shoe Socks - 2                           |
| *85009048   | Paste Lube Bracket & Brush                             |
| *8183710    | Paste Lube   |
| *85607787   | Grip-Max® Plus Clamps - 4 (6" - 24")                   |
| *85607986   | Grip-Max® Plus Extended Clamps - 4 (16" - 28")         |
| *8560716108 | Grip-Max® Plus Grips - 8                               |
| *85610105   | Premium Storage Cabinet                                |
| *89233409   | Leverless Duckhead® mount/demount tool plastic inserts |
| 85000783    | LiftTool Socks - 10                                    |
| 85609077    | Manual Bead Depressor Kit                              |

### RECOMMENDED OPTIONAL ACCESSORIES



EL-X Express Lane®  
Inflation System  
(PN 85607770)



Grip-Max® Plus  
Replacement Grip Set - 8  
(PN 8560716108)



Point-of-Use Lift System  
(PN 85608609)



Manual Drop  
Center Tool  
(PN 84356885)



Auxiliary Bead Sealer (ABS)  
(PN 85606545)



Paste Lube Bucket  
(PN 8183710)

# COATS®