

# SPECIALTY

# Service Virtually Any Customer



## APX90 ALL-IN-ONE RIM CLAMP® TIRE CHANGER

The Tire Changer  
Platform For The Future



### Helper Devices



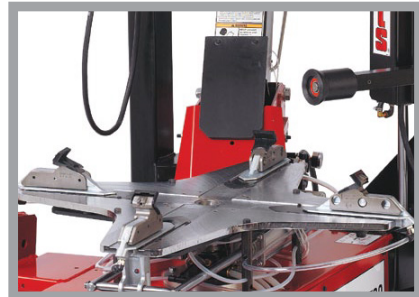
Multiple assist tools allow the operator to safely mount and demount difficult assemblies with ease.

### Integrated Wheel Lift



Lifts heavy assemblies, reducing both wheel damage risk and muscle strain for technicians.

### Large Clamping Capacity



Service wheels up to 30" without special adapters.

APX90 RIM CLAMP® TIRE CHANGER

To learn more about the Coats APX90 tire changer, or any of our other quality products, contact your authorized Coats distributor or call **1-855-876-3864** for the dealer nearest you.

# COATS®

## CONTACT US NOW

[www.coatsgarage.com](http://www.coatsgarage.com)  
or call 1-855-876-3864



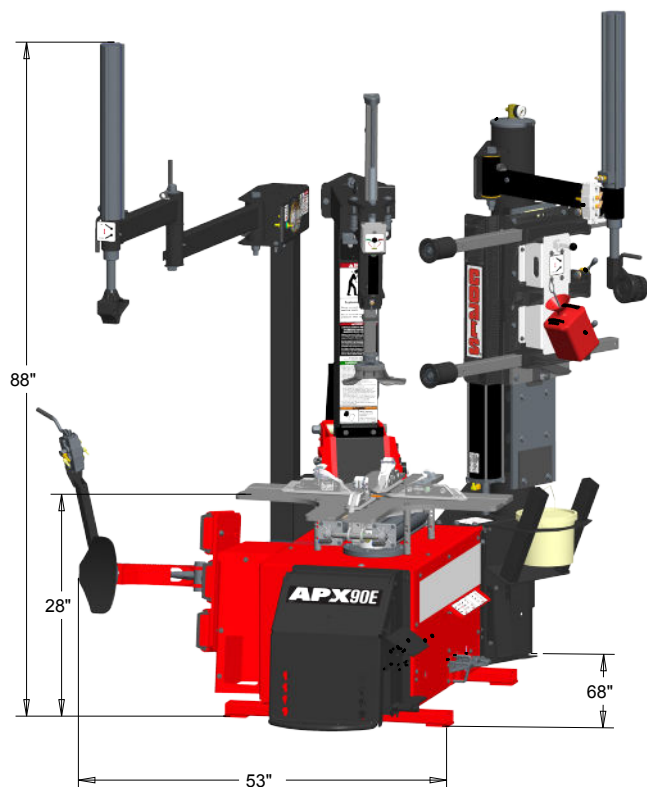
# APX90 ALL-IN-ONE RIM CLAMP® TIRE CHANGER

## THE TIRE CHANGER PLATFORM FOR THE FUTURE

### SPECIFICATIONS

Wheel Handled	Steel, Alloy and High-Performance
Rim Diameter	9" - 30" External
Maximum Tire Diameter	44" Max
Maximum Rim Width	16" Max
Bead Loosening System	Hand Actuated
Wheel Clamping System	4 Clamps, Air Cylinder Operated
Mount/Demount Mechanism	Tilt-back with Automatic Safety Lock
Helper Devices	Robo-Arm®, RoboRoller®, Horizontal Power Rollers, Duckhead® Roller, Wheel Lift
Bead Seating Air Volume	5.7 Gallons in Tower
Inflation Gauge	0 - 60 psi
Air Supply Gauge	0 - 300 psi
Air Drive System	1.5 HP Air Motor, 110 - 175 psi, 15 scfm (Air Model Only)
Electric Drive System	2 HP High Torque, 110v Single Phase, 25 amp
Footprint	53"w x 68"d x 88"h
Ship Weight	1,510 lbs.
Warranty	3 Year Parts, 6 Months Labor
Part Number	Air Model: 850002221 Electric Model: 85000222

### EQUIPMENT FOOTPRINT



### ACCESSORIES

\* Included With Purchase

Part Number	Description
*8000491	Applicator Lube
*8106259	Bottle Lube
*8183710	Paste Lube
*85009048	Paste Lube Bracket & Brush
*8181354	Tool Lift
*85000783	Lift Tool Socks - 10
*8183606	Bead Loosener Shoe Socks - 2
*8185770	Duckhead® Roller
*85000269	Duckhead® Mount/Demount Tool, NYLN, 2/PKG
*85607787	Grip-Max® Plus Clamps - 4

### RECOMMENDED OPTIONAL ACCESSORIES



Leverless Upgrade  
(PN 85607471)



Auxiliary Bead Sealer (ABS)  
(PN 85606545)

# COATS®