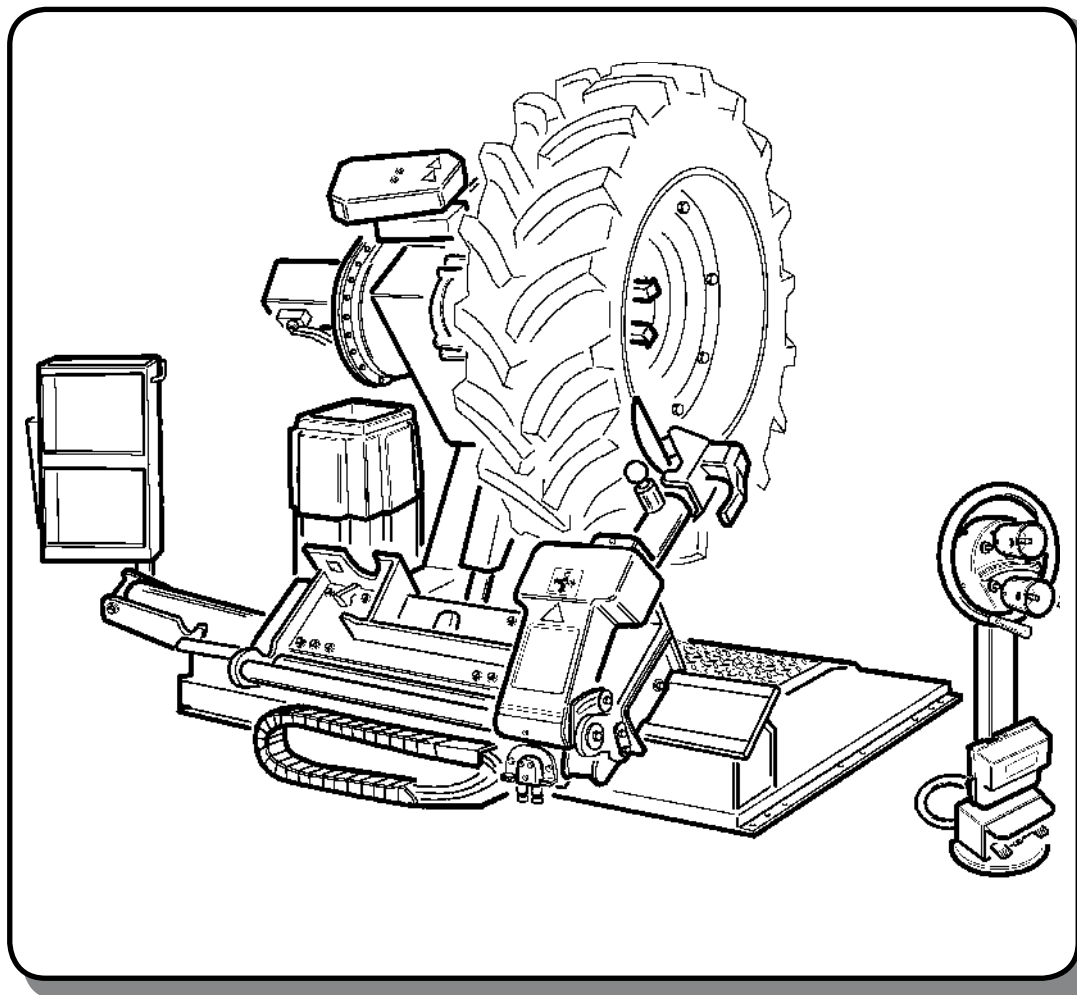


COATS

ORIGINAL SPARE PARTS

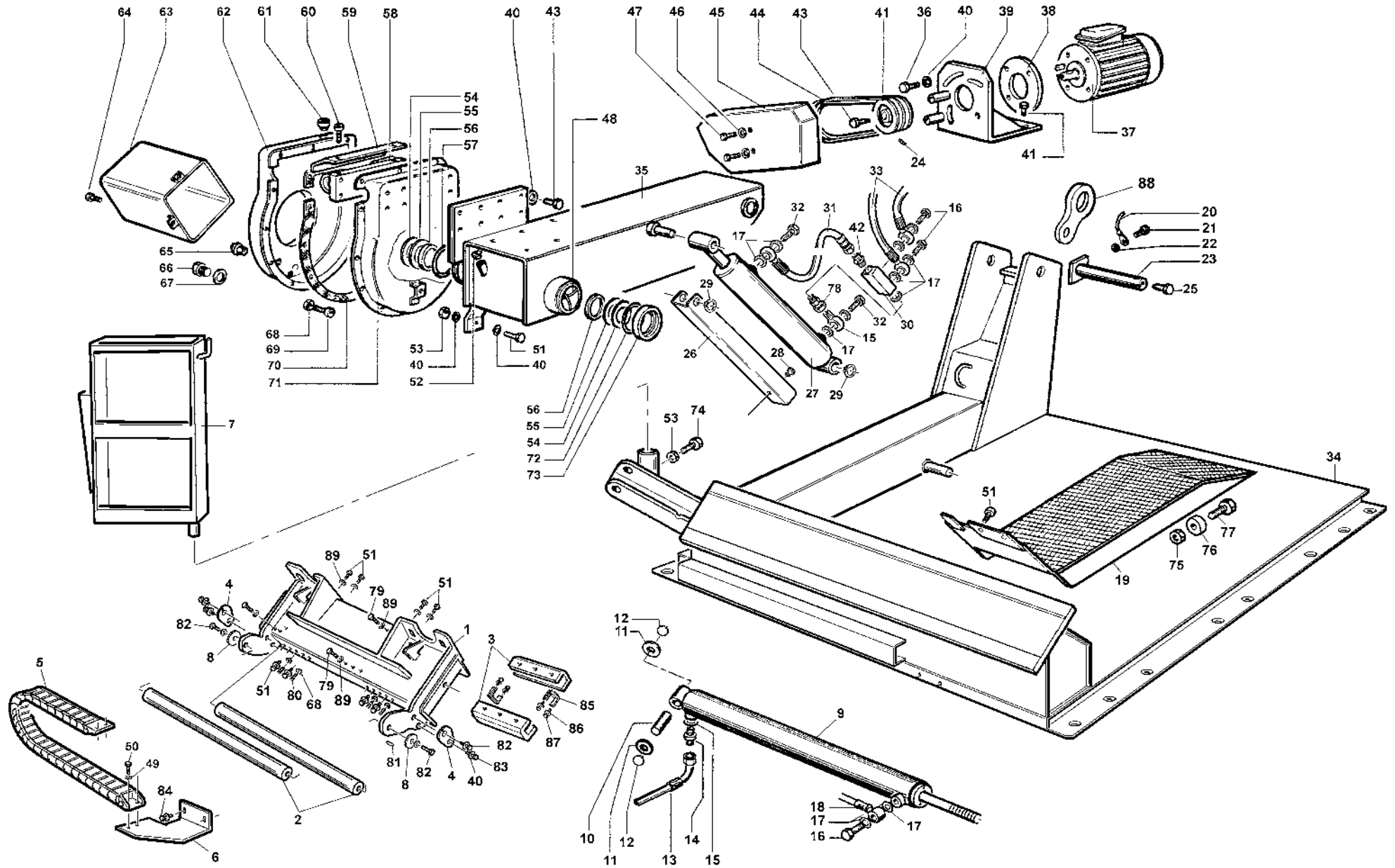
CHD-9551



85010082 06
Revision 06/18

FRAME

TAV. 1.0



FRAME

TAV. 1.0

Ref	Codart	Description
1	*7917231	SADDLE
2	*3017600	SHAFT D.50
3	*3013888	CARRIAGE SLIDE
4	*3017499	FASTENING PLATE
5	*4296877	CHAIN
6	*6617516	CHAIN SUPPORT
7	*6617590	TOOLING SHELF
8	*3001067	WASHER
9	*6617479	CARRIAGE OPERATING CYLINDER
10	*3001003	PIN
11	*4399289	WASHER 25x44x4
12	*4395720	SEEGER RING D.24
13	*3017378	3/8" HOSE
14	*3004989	NIPPLE MM 1/4" H.18mm.
15	*4197297	UNION 1/4" - 1/4" BSP
16	*4199249	1/4" UNION NUT
17	*4399256	WASHER 1/4" D.13x19x1,5
18	*3017379	3/8" PIPE FOR LONG CYLINDER
19	*6617234	RAMP
20	*2001290	CABLE
21	*4398273	SELF-TAPPING SCREW 5,5x19
22	*4399288	TOOTHED WASHER 6,4x11x0,7
23	*2117383	ARM PIN
24	*4398827	SCREW 8x12
25	*4399302	SCREW 14x30
26	*6617582	CYLINDER GUARD
27	*6617182	CYLINDER GUARD
28	*4296552	BOUCHON D.20
29	*4395720	SEEGER RING D.24
30	4196137	STOP VALVE
31	*3011381	HOSE 1/4" L=320
32	*4199250	1/4" UNION NUT
33	*3010139	SHORT CYLINDER PIPE
34	*2043348RO	BASE FRAME
35	*2043346RO	CHUCK ARM

*** = Non Stock Items**
Please, Contact Hennessy for Availability

FRAME

TAV. 1.0

36	*4399935	SCREW TE M8X25 8.8
37	*4594303	MOTOR 3PH 208-230V.60HZ
38	*4299330	SPACER
39	*6600974	MOTOR SUPPORT
40	*4399378	WASHER 10 (10,5x25x2)
41	*3000975	MOTOR PULLEY
42	*4199257	NIPPLE 1/4" - h.7 mm.
43	*4398827	SCREW 8x12
44	4294151	ROFLEX BELT
45	*3000943	COVER
46	*4399829	WASHER 8 (8,4x16x1,5)
47	*4399305	SCREW M8x12 8.8
48	*3001041	BUSHING
49	*4398848	WASHER 6 (6,6x18x1,5)
50	*4399229	SCREW 6x10
51	*4399786	SCREW M10x30 8.8
52	*4299066	UNDERCAP D.11,5
53	*4399967	NUT M10
54	*3001056	SPACER 81x105x0,5
55	*3001057	SPACER 81x105x1
56	4299308	GROMMET
57	*4299325	O-RING 98,02x3,53
58	*2101009	WORM SCREW SUPPORT
59	*3001010	OIL SCREEN
60	*4399300	SCREW 6x12
61	*4199258	OIL LEVEL PLUG
62	*7900998	FRONT CASING
63	*6616557	CYLINDER GUARD
64	*4399298	SCREW 8x16
65	*4297160	OIL LEVEL INDICATOR 3/4"
66	*4197684	PLUG 3/8"
67	*4198598	COPPER WASHER 3/8" 17x23x1,5
68	*4399967	NUT M10
69	*4398108	SELF-TAPPING SCREW 6,3x16
70	3001051	DUCTION GEAR SEAL
71	*7900995	BACK CASING

*** = Non Stock Items**
Please, Contact Hennessy for Availability

FRAME

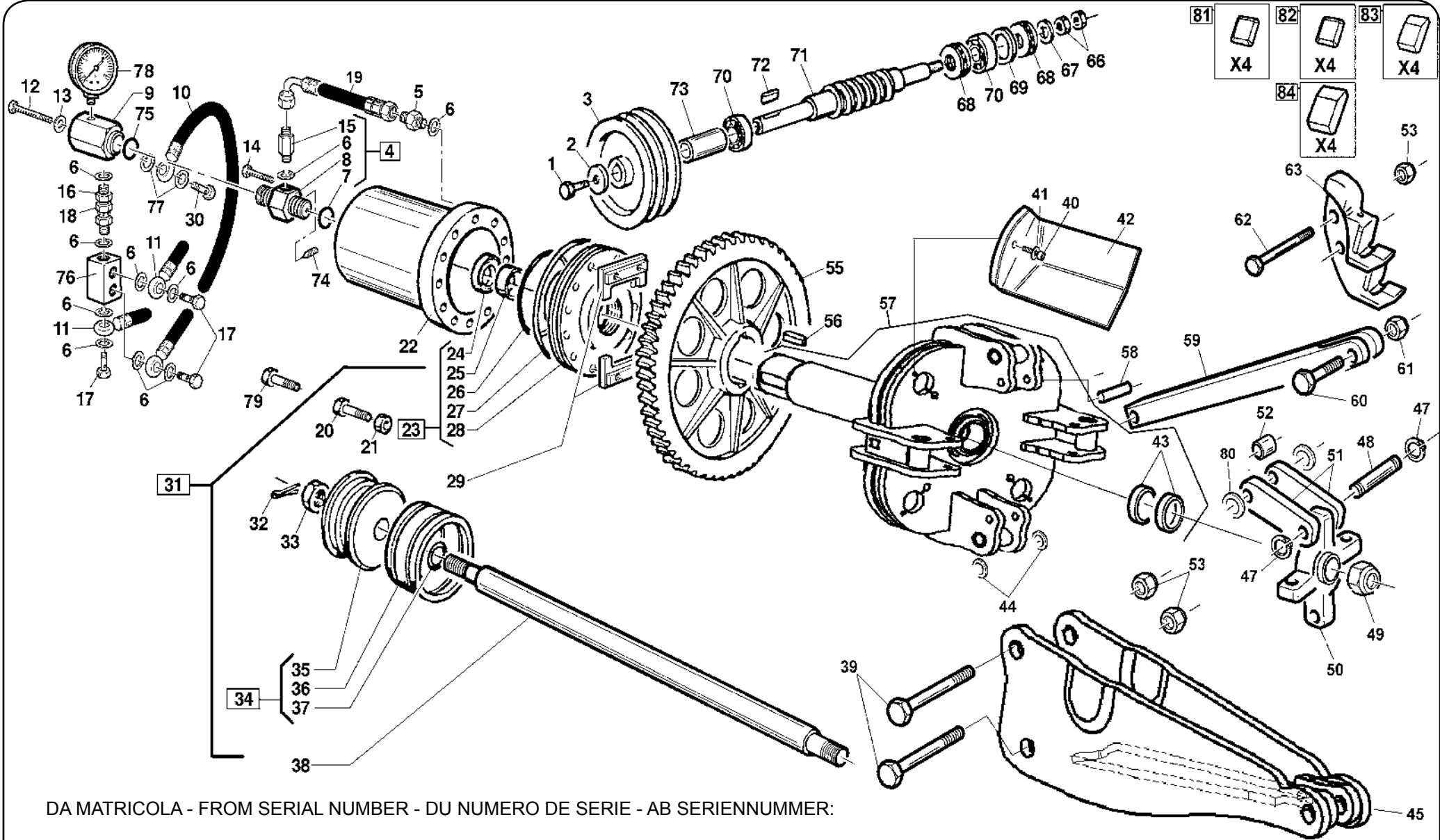
TAV. 1.0

72	*3001055	FELT
73	*3001738	RING FOR FELT
74	*4399953	SCREW 10x16
75	*4399295	NUT M16
76	4299251	ROLLER
77	*4399945	VIS M16x100 8.8
78	*4197164	ROTATING UNION 1/4" M/F
79	*4397049	SCREW 10x100
80	*4398826	SCREW 10x20
81	*4394642	ELASTIC PIN D.8X15
82	*4399302	SCREW 14x30
83	*4399228	SCREW 10x25
84	*4399946	SCREW 8x16
85	*3019036	SCRAPER 20x20
86	*4399903	RONDELLE 4 (4,5x12x1,5)
87	*4397671	SELF-TAPPING SCREW 4,2x13
88	3032214	ANTIROTATION PLATE
89	*4395085	WASHER 10 (10,5x25x2)0

*** = Non Stock Items**
Please, Contact Hennessy for Availability

SELF-CENTERING CHUCK

TAV. 2.1



DA MATRICOLA - FROM SERIAL NUMBER - DU NUMERO DE SERIE - AB SERIENNUMMER:

GAE 1206556

SELF-CENTERING CHUCK

TAV. 2.1

Ref	Code	Description
1	*4399953	SCREW M10x16 8.8
2	*3001068	WASHER D.10,5x40x5
3	*3001052	DRIVEN PULLEY
4	*2001046	PIN
5	*3001372	NIPPLE 1/4" H.12mm.
6	*4399256	WASHER 1/4" D.13x19x1,5
7	4299241	O-RING 23,40x3,53
8	*2001241	PIN
9	*2016554	ROTATING UNION
10	*3009763	HOSE 1/4" L=400 ROTATING UNION
11	*3010138	CHUCK CYLINDER HOSE
12	*4399305	SCREW M8x12 8.8
13	*4399947	WASHER 8 (9x32x4)
14	*4399299	SCREW 6x30 8.8
15	*3004989	NIPPLE MM 1/4" H.18mm.
16	*4199257	NIPPLE MM.1/4" H=7,5 mm.
17	*4199249	1/4" UNION NUT
18	*4197164	ROTATING UNION M/F 1/4"
19	*3001063	HOSE
20	*4397145	SCREW 10x70 8.8
21	*4399969	NUT M10
22	*2100996	CYLINDER D.140
23	*2001048	CYLINDER FLANGE D.140
24	4299173	GROMMET
25	*4299172	GUIDE RING
26	4299171	O-RING 132,94x3,53
27	4299170	O-RING 183,52x5,34
28	*3008801	CYLINDER GUIDE COVER D.140
29	*2108802	WHEEL LOCKING PLATE
30	*4197232	1/4" UNION NUT
31	*2001281	CYLINDER D.140
32	*4398496	SCREW 5x5
33	*4399294	NUT M27x2
34	*2001045	PISTON

*** = Non Stock Items**
Please, Contact Hennessy for Availability

SELF-CENTERING CHUCK

TAV. 2.1

35	3001117	PISTON D.140
36	4299313	GROMMET
37	4299312	O-RING 28,17x3,53
38	*3001001	CHUCK CONTROL SHAFT
39	*3032343	SCREW 18X1,5X110
40	*4398273	SELF-TAPPING SCREW 5,5x19
41	*4399998	WASHER 6 (6,4x12x1,6)
42	*3017581	ABS COVER
43	4299309	SCRAPER RING
44	*4399974	SHIM ADJUSTMENT 20,5x28x0,3
45	*2132491	LEFT CHUCK ARM
47	*4399231	SEEGER RING D.18
48	*3000993	PIN
49	*4399293	NUT M33x2
50	*3001050	TURNTABLE CROSS
51	*3001044	CONNECTING ROD
52	*3000994	SPACER D.20x30x28
53	*4399316	SELF-LOCKING NUT M18x1,5 H=18
55	*3010838	HELICAL GEAR
56	*4399218	TAB 20x12x60
57	*2032813	COMPL. CHUCK UNIT
58	*3033796	SPRING PIN 12x65
59	*3000992	BAR
60	*3000968	SCREW 12x58
61	*4399865	SELF-LOCKING NUT M12
62	*3000966	SCREW 18x1,5x87
63	*3033828	CLAMP SUPPORT
66	*4399181	NUT M16
67	*3001114	WASHER D.16,2x38x7
68	*4299284	BEARING
69	*3001115	SPACER
70	*4299285	BEARING

*** = Non Stock Items**
Please, Contact Hennessy for Availability

SELF-CENTERING CHUCK

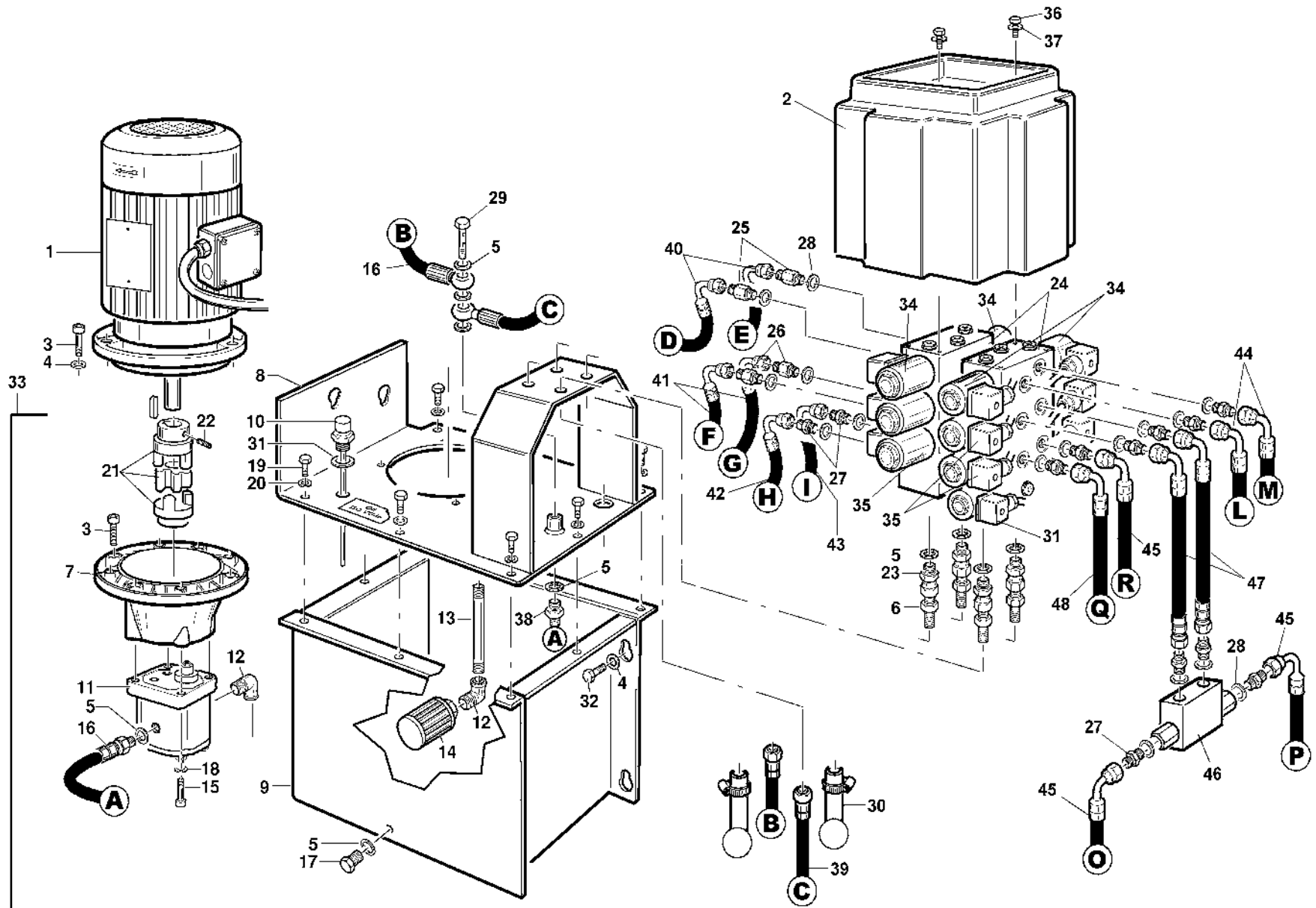
TAV. 2.1

71	85611403	WORM SCREW M3,5
72	*4399287	TAB 7x8x30
73	*3000999	SPACER D.25,1x35x58
74	*4397046	SCREW M10x10
75	4299167	RING
76	*4197238	HYDRAULIC STOP VALVE
77	*4396341	BOND WASHER 1/4"
78	*4199146	PRESSURE GAUGE 1/4" 250 BAR
79	*4396424	SCREW M10x60 - 8.8
80	*4398289	WASHER 18 (19x34x3)
81	*9213747	KIT OF CLAMP PINS H=6 (4 PCS.)
82	*9213748	KIT OF CLAMP PINS H=10 (4 PCS.)
83	*9213749	KIT OF CLAMP PINS H=13 (4 PCS.)
84	*9234724	KIT OF CLAMP PINS

*** = Non Stock Items**
Please, Contact Hennessy for Availability

HYDRAULIC POWER UNIT

TAV. 3.0



HYDRAULIC POWER UNIT

TAV. 3.0

1	*4594302	MOTOR 3PH 208-230V.50/60HZ
2	*3017580	ABS FRAME
3	*4399956	SCREW 10x25 12.9
4	*4399378	WASHER D.10 (10,5x21x2)
5	*4198598	COPPER WASHER 3/8" 17x23x1,5
6	*4197600	UNION 3/8"
7	*4197872	FLANGE GR.80 D.200 HL5L
8	*6617508	TANK COVER PLATE
9	*6609757	TANK
10	*3010652	OIL LEVEL PLUG
11	*4194799	PUMP GR.1 8,00 CM/C DX C.F3/8
12	*4197240	UNION 90' MF 3/8"
13	*4197239	UNION 3/8" F L100
14	*4197241	OIL FILTER
15	*4399299	SCREW 6x30 8.8
16	*3009760	HOSE 3/8" L=370
17	*4197684	PLUG 3/8"
18	*4399998	WASHER 6 (6,4x12x1,6)
19	*4399305	SCREW M8x12 8.8
20	*4399829	WASHER 8 (8,4x16x1,5)
21	*4197873	FLEXIBLE COUPLING
22	*4399121	SCREW 6x6
23	*4197621	O-RING 45' FF 3/8"
24	2012881	MULTIPLE BASE + SOLENOID VALVE
25	*3004989	NIPPLE MM 1/4" H.18mm.
26	*3001372	NIPPLE 1/4" H.12mm.
27	*4199257	NIPPLE MM.1/4" H=7,5 mm.
28	*4399256	WASHER 1/4" D.13x19x1,5
29	*4196596	UNION BOLT 3/8"
30	*3001370	HOSE D.16x26 L=400
31	4197106	RELIEF SIMPLE SOLENOID VALVE
32	*4399953	SCREW M10x16 8.8
33	2017598	HYDRAULIC UNIT
34	*4196318	SOLENOID VALVE
35	*4196317	SOLENOID VALVE

*** = Non Stock Items**
Please, Contact Hennessy for Availability

HYDRAULIC POWER UNIT

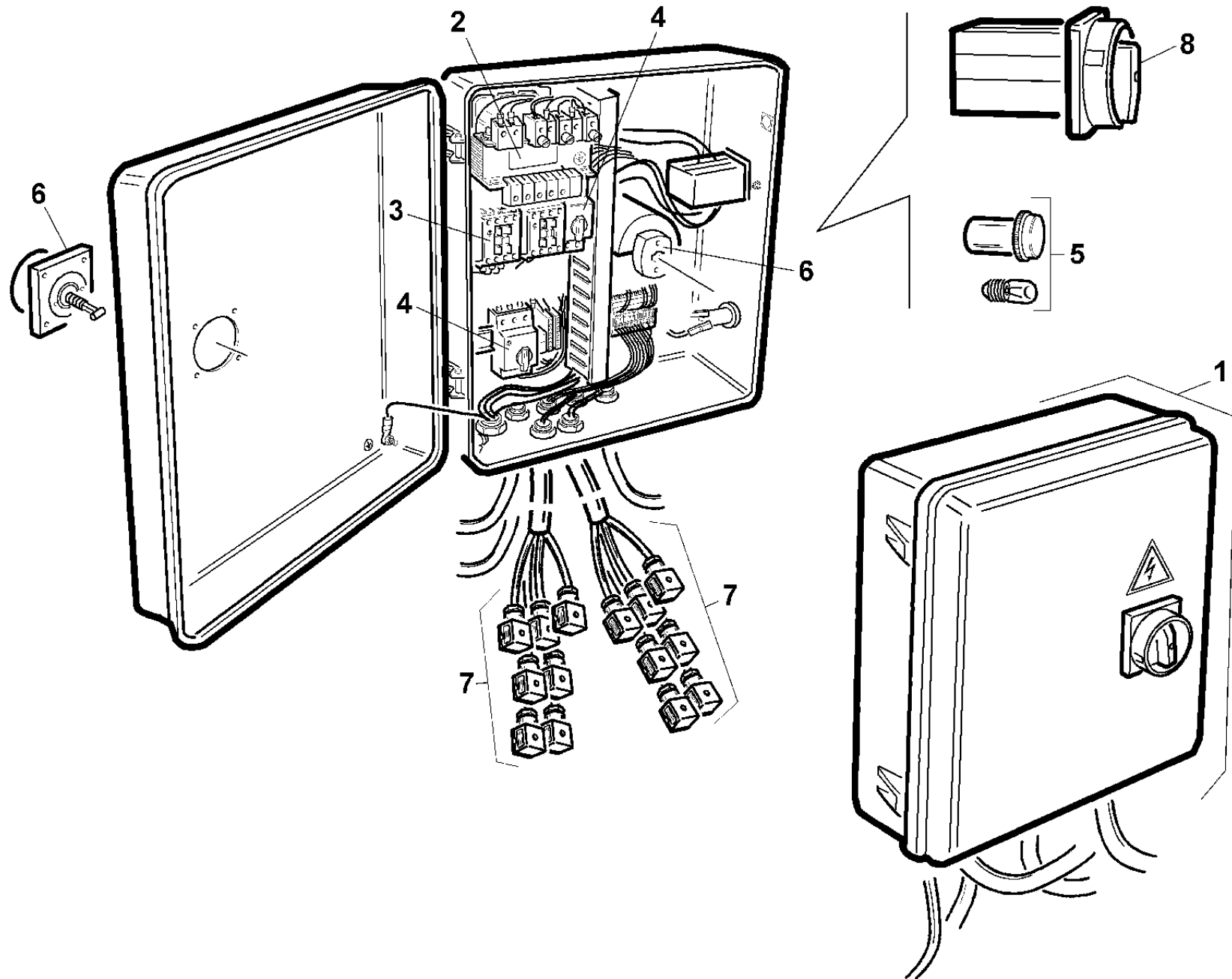
TAV. 3.0

- 36 *4399892 SCREW 6x20
- 37 *4399998 WASHER 6 (6,4x12x1,6)
- 38 *4198559 LOCK RING
- 39 *3011284 DRAINING HOSE 3/8" L=320
- 40 *3010138 CYLINDER HOSE
- 41 *3010139 CYLINDER PIPE
- 42 *3017379 3/8" PIPE FOR LONG CYLINDER
- 43 *3017378 3/8" PIPE FOR LONG CYLINDER
- 44 *3017384 3/16" PIPE 1/4 UNION
- 45 *3017574 3/16 PIPE TILTING ROTATION CYL.
- 46 *4196137 STOP VALVE
- 47 *3001063 PIPE
- 48 *3019100 3/16 PIPE TILTING ROTATION CYL.

*** = Non Stock Items**
Please, Contact Hennessy for Availability

ELECTRIC PANEL

TAV. 4.0



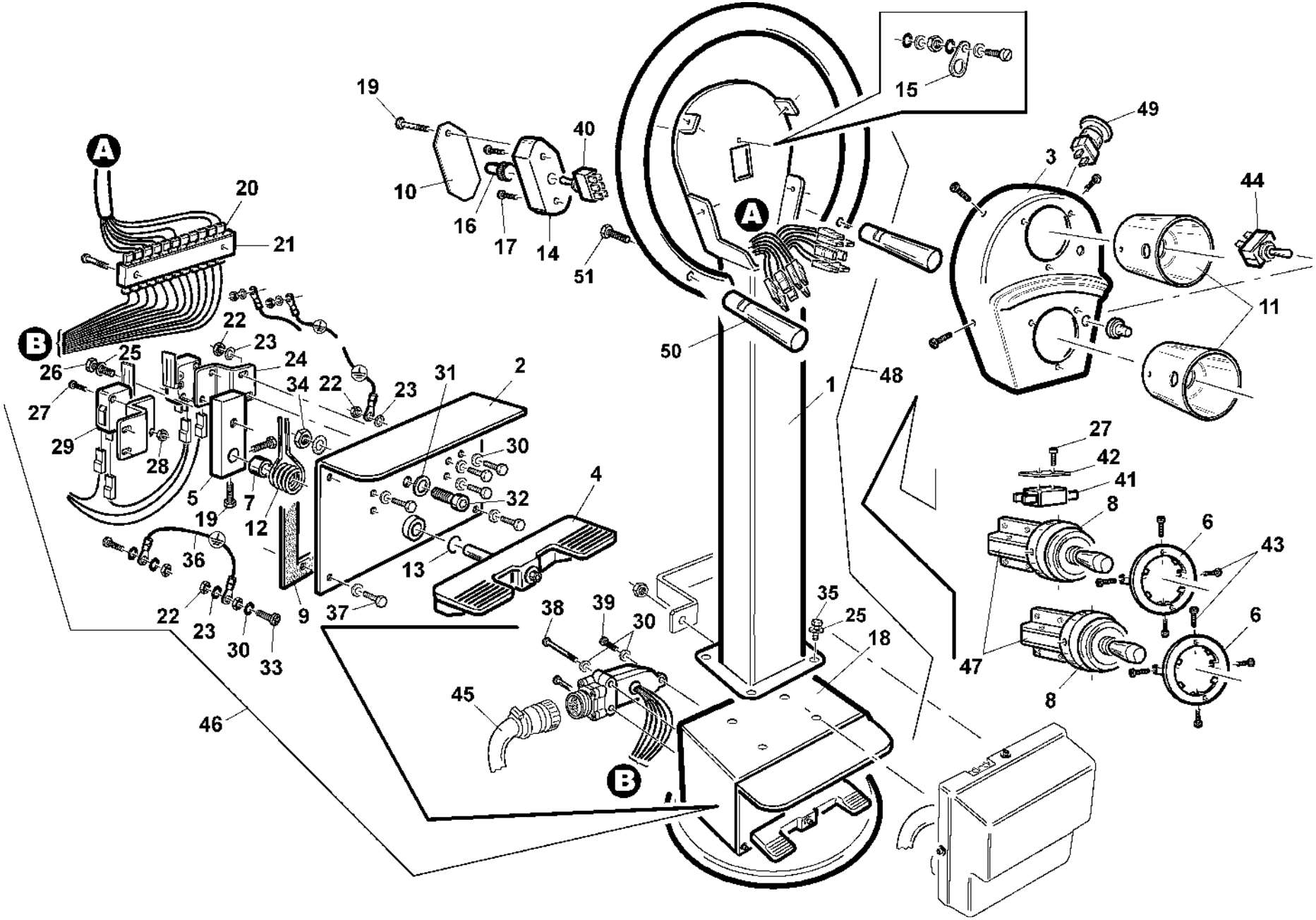
ELECTRIC PANEL

TAV. 4.0

Ref	Code	Description
1	*2029015	ELECTR. UNIT 3PH 60HZ CE
1/A	*82033504	ELECTR. UNIT 3PH 60HZ CE
2	*4595407	TRANSFORMER
3	*4595405	MOT. CHUCK SWITCH
4	*4594152	OVERLOAD CUTOUT 14,5-20A
5	*4599160	PILOT LIGHT
6	*4599153	SWITCH
7	*2029017	SOLENOID VALVE WIRING
8	*4597897	POLE CHANGE SWITCH

*** = Non Stock Items**
Please, Contact Hennessy for Availability

PEDAL CONTROL



PEDAL CONTROL

TAV. 5.0

Ref	Code	Description
1	*6618274	CONTROL UNIT POS
2	*6616639	PEDAL UNIT COVER
3	*3016526	COVER
4	*2401100	PEDAL
5	*3001131	CONTROL LEVER
6	*3016505	JOYSTICK SUPPORT
7	*3001135	SPACER
8	*3001137	COVER
9	*3001138	SEAL
10	*3005718	SWITCH COVER
11	*3016960	JOYSTICK PROTECTION
12	3007133	PEDAL CONTROL SPRING
13	*4299223	O-RING 13,94x2,62
14	*3006791	PLASTIC SUPPORT
15	*3005928	GROUND CABLE PLATE
16	*4599125	LEVER COVER
17	*4399091	SELF-TAPPING SCREW 3,5x13
18	*6618273	CONTROL UNIT FRAME
19	*4399229	SCREW 6x10
20	*4599157	DIODE
21	*4599220	TERMINAL BOARD
22	*4399996	NUT M4
23	*4399703	TOOTHED WASHER 4,3x8x0,5
24	*3001143	SQUADRETTA X MICROINTERRUTT.
25	*4399998	WASHER 6 (6,4x12x1,6)
26	*4399090	SCREW 6x30
27	*4399123	SCREW 3x20
28	*4399127	NUT M3
29	4599219	MICROSWITCH
30	*4399903	WASHER 4 (4,5x12x1,5)
31	*4399829	WASHER 8 (8,4x16x1,5)
32	*4399954	SCREW 8x20
33	*4399905	SCREW 4x12
34	*4399976	NUT M8
35	*4398723	SCREW 6x12

*** = Non Stock Items**
Please, Contact Hennessy for Availability

PEDAL CONTROL

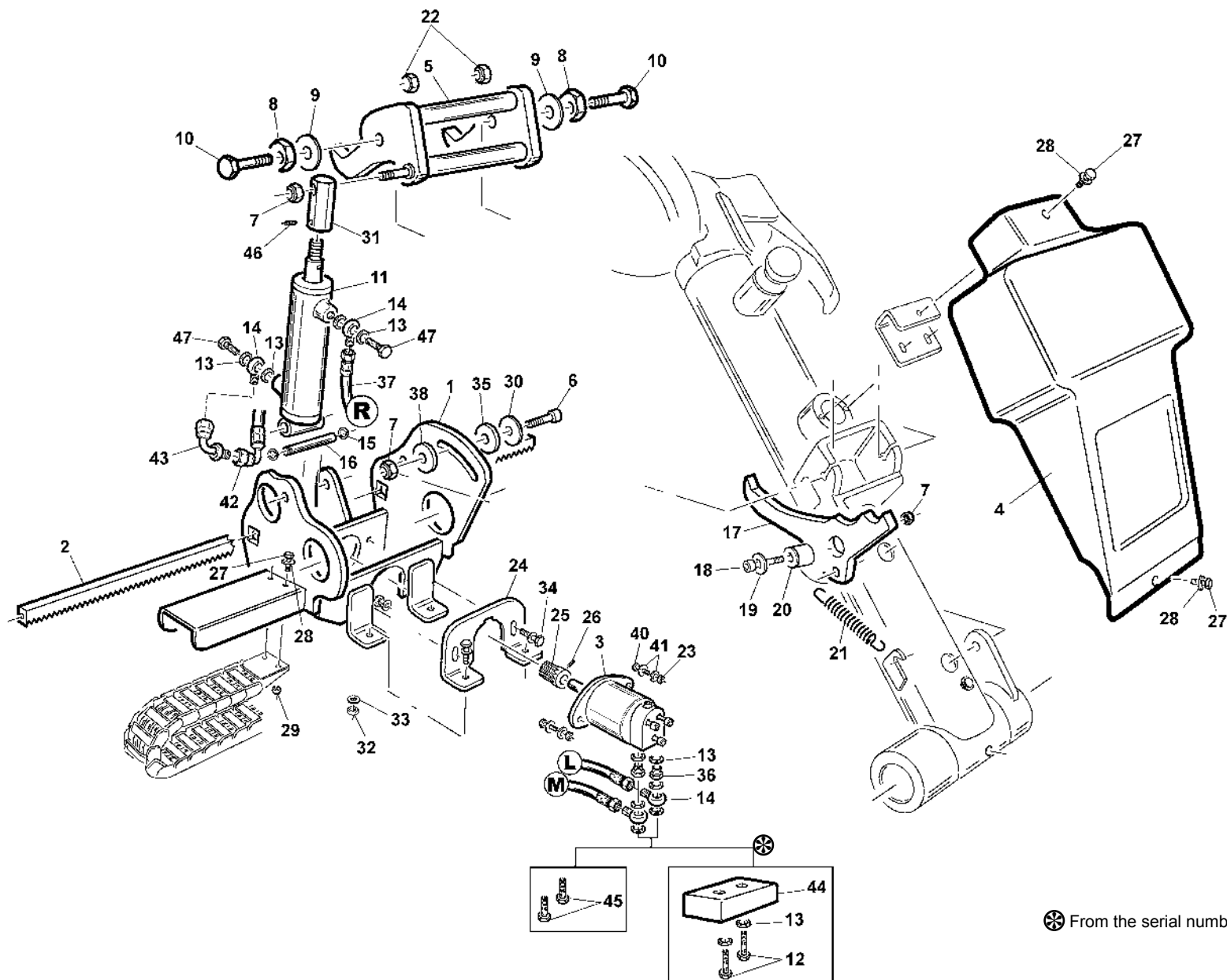
TAV. 5.0

Ref	Code	Description
36	*2001300	CABLE
37	*4399222	SCREW M4x14
38	*4399860	SCREW 4x40
39	*4399124	SCREW 4x16
40	4599221	LEVER COMMUTATOR
41	4599129	MICROSWITCH
42	*4599128	PLATE
43	*4397734	SELF-TAPPING SCREW 2,9x12,7
44	4594961	SWITCH
45	2029185	CABLE
46	*2029024	PEDAL CONTROL UNIT
47	3595987	MANIPULATOR
48	*2018286	CONTROL UNIT COMPL. FRAME
49	*2018297	EMERGENCY STOP BUTTON
50	*3019103	HANDLE D.25 M10
51	*4399951	SCREW 10x35

*** = Non Stock Items**
Please, Contact Hennessy for Availability

TOOL ARM SADDLE

TAV. 6.0



⊗ From the serial number: GAE 1001380

TOOL ARM SADDLE

TAV. 6.0

Ref Code	Description
1	*2117190 ARM TROLLEY
2	*3017146 RACKS 20x20 MOD.2 L=1085
3	*4194968 HYDR. MOTOR OM 50 C-S-F (OMM)
4	*3017520 ABS PANEL
5	*2118387 ARM HOOK
6	*4397941 SCREW 12x60
7	*4399865 SELF-LOCKING NUT M12
8	*3018950 CAM
9	*4394154 WASHER 18X30X3,8
10	*4397334 SCREW 18x65
11	*6617456 TOOL HOOKING CYLINDER
12	*4197231 DRILLED UNION BOLT 1/4"
13	*4399256 COPPER WASHER 1/4" D.13x19x1,5
14	*4197297 UNION 1/4"
15	*4398686 SEEGER RING D.16
16	*3017955 CYLINDER PIN D16 L85
17	*3018382 ARM LEVER
18	*4399955 SCREW 12x40
19	*4399981 WASHER 12 (13x24x2,5)
20	*3000117 BUSH
21	3000114 ARM SPRING
22	*4398725 SELF-LOCKING NUT M18
23	*4399976 NUT M8
24	*6617981 UPPER SUPPORT PLATE
25	*3017145 GEAR
26	*4394632 SCREW STEI 5x10 P.P.
27	*4399892 SCREW 6x20
28	*4399998 WASHER 6 (6,4x12x1,6)
29	*4399889 NUT M6
30	*3001067 WASHER
31	*3017588 CYLINDER SHAFT TOP END
32	*4399900 SELF-LOCKING NUT M8
33	*4399829 WASHER 8 (8,4x16x1,5)
34	*4399901 SCREW 8x30
35	*3016903 WASHER (12,5x50x5)
36	*4197186 HYDR. REDUCTION PIECE M3/8" F1/4"

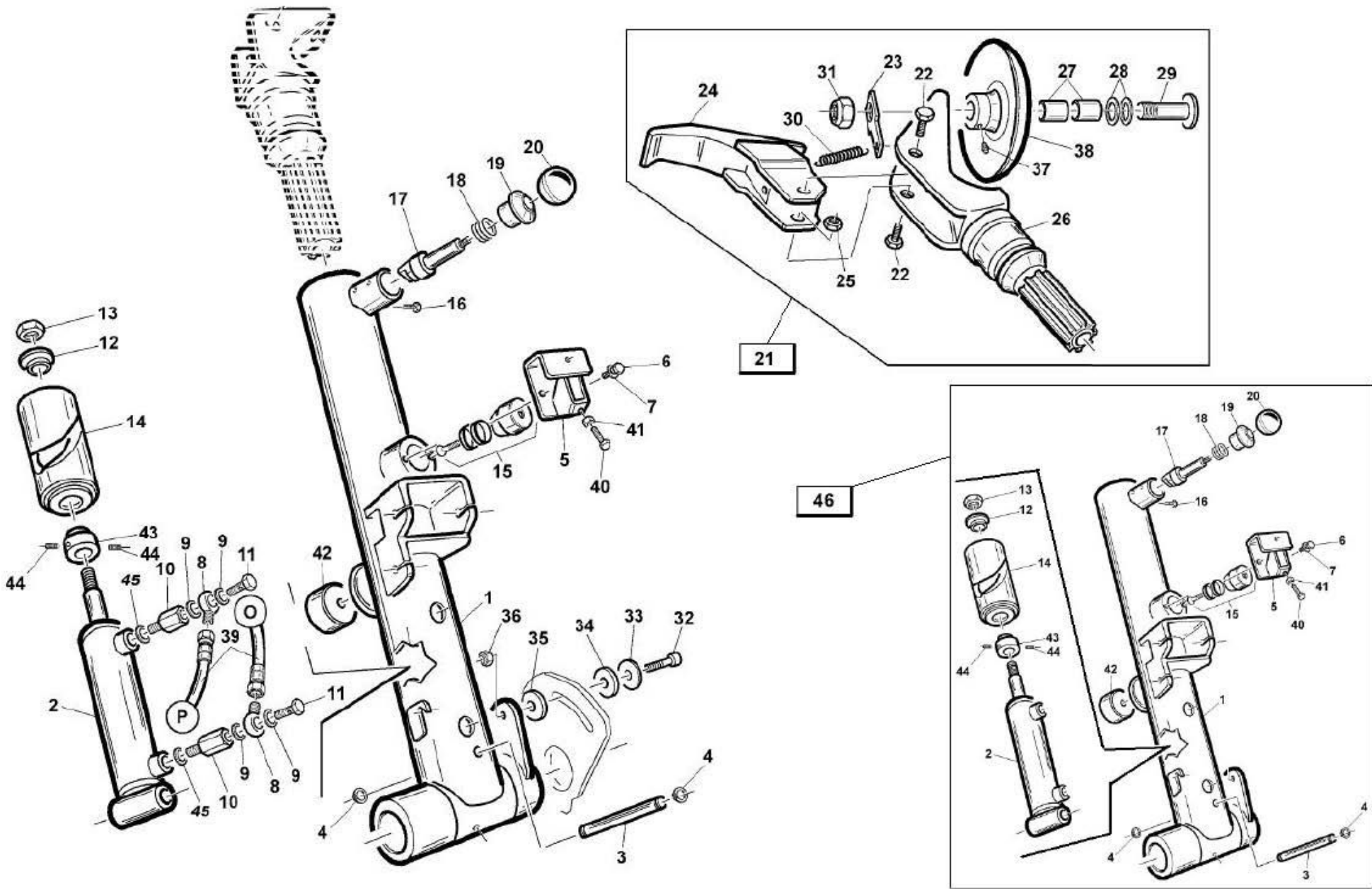
*** = Non Stock Items**
Please, Contact Hennessy for Availability

TOOL ARM SADDLE

TAV. 6.0

Ref	Code	Description
37	*3017574	3/16 PIPE TILTING ROTATION CYL.
38	*3017586	NYLON WASHER
40	*4399935	SCREW 8X25
41	*4399829	WASHER 8 (8,4x16x1,5)
42	*3019100	3/16 PIPE TILTING ROTATION CYL.
43	*4198320	UNION M/F 1/4"
44	*3031056	FLOW DELIVERY HYDR. BLOCK
45	*4199249	DRILLED UNION BOLT 1/4"
46	*4399121	SCREW 6x6
47	*4194793	1/4" UNION BOLT

*** = Non Stock Items**
Please, Contact Hennessy for Availability



MOBILE TOOL

TAV. 7.0

Ref	Code	Description
1	*6617227	TOOL ARM
2	*6615073	CYLINDER
3	*3014369	ROT. CYLINDER PIN
4	*4398686	SEEGER RING D.16
5	*2119470	PLATE
6	*4399946	SCREW 8x16
7	*4399829	WASHER 8 (8,4x16x1,5)
8	*4197297	UNION 1/4"
9	*4399256	COPPER WASHER 1/4" D.13x19x1,5
10	*3017060	FERRULE M/F 1/4" H=16 h=8,5
11	*4199250	UNION BOLT 1/4"
12	*3014509	SPACER
13	*4399963	SELF-LOCKING NUT M16
14	*2114371	ROTATION HUB
15	*2019657	PIN
16	*4399229	SCREW 6x10
17	*3014373	PIN
18	*3000036	SPRING
19	*3014374	BUSH
20	*4295750	PLASTIC KNOB D.50 M12
21	*2014377	DOUBLE TOOL
22	*3010837	THREADED PIN
23	*3010841	SPRING CONNECTION
24	*2110835	LONG MOUNTING TOOL
25	*4399295	NUT M16
26	*2114736	SUPPORT
28	*4396915	RING 41x52Ex0,5 (3)
29	*3010831	PIN
30	3001266	SPRING D.18 L=72

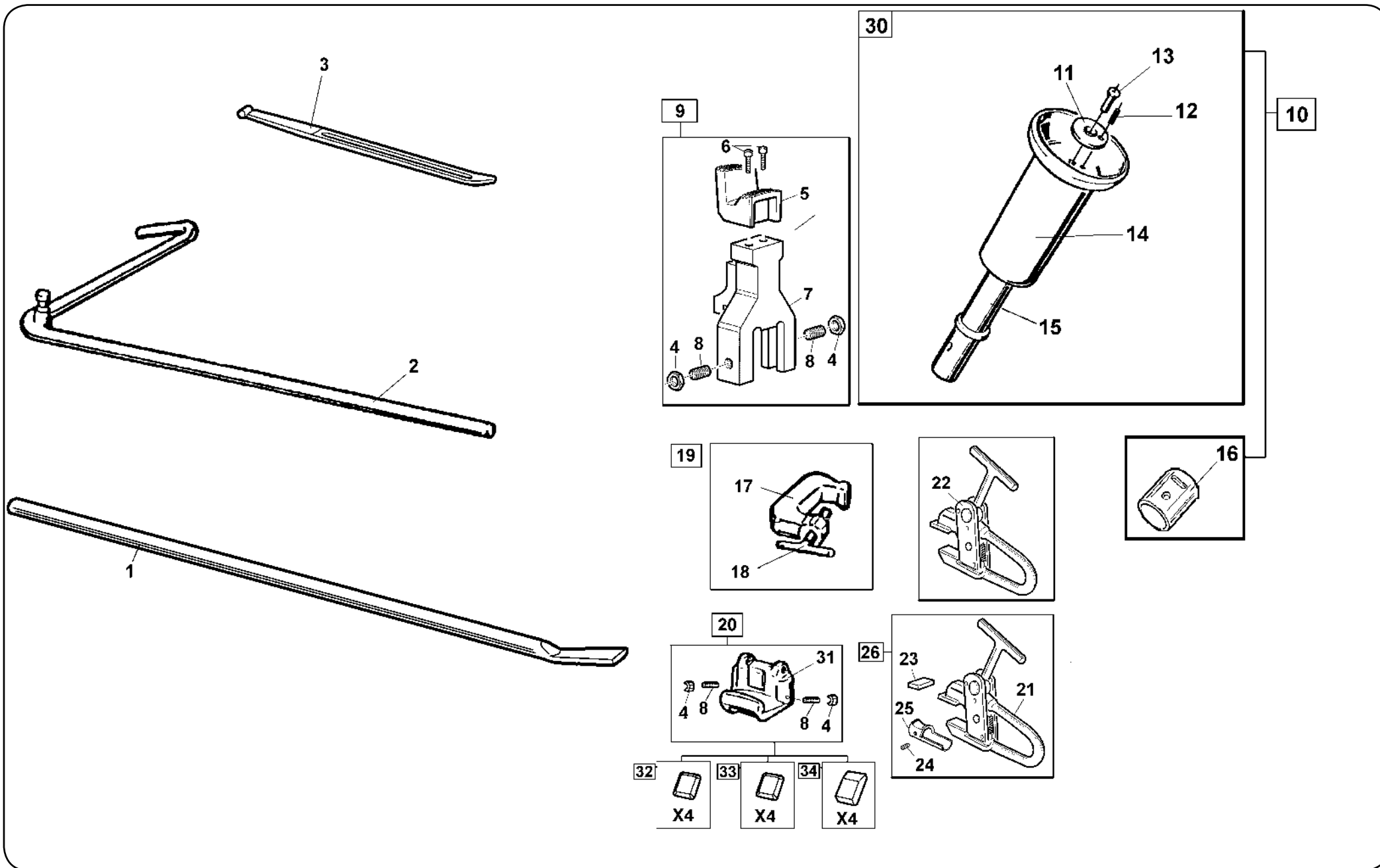
*** = Non Stock Items**
Please, Contact Hennessy for Availability

MOBILE TOOL

TAV. 7.0

- 31 *4396916 SELF-LOCKING NUT 27x3
- 32 *4397896 SCREW 10x50
- 33 *4398263 WASHER D.12,5x48x3
- 34 3016903 WASHER (12,5x50x5)
- 35 3017586 NYLON WASHER
- 36 *4399865 SELF-LOCKING NUT M12
- 38 *2019101 BEAD BREAKING DISK
- 39 *3017574 3/16 PIPE TILTING ROTATION CYL.
- 40 *4399880 SCREW 10x40
- 41 *4399969 NUT M10
- 42 *3018128 SHOCK ABSORBER CAP D.60 H.40
- 43 *3032656 SPACER
- 44 *4396218 SCREW 6x10
- 45 *4396341 BOND WASHER 1/4" D.13,5x21x12
- 46 *2039668 COMPLETE TOOL ARM (except tool)

*** = Non Stock Items**
Please, Contact Hennessy for Availability



ACCESSOIRES & OPTIONS

TAV. 8.0

Ref	Code	Description
1	* 6601002	LONG BEAD LIFTING LEVER
2	*9299269	141/90 BEAD GUIDE LEVER
3	*3001061	SHORT TYRE LEVER
4	*4399967	CLAMP
5	*3001313	CLAMP
6	*4399089	SCREW
7	*3034159	EXTENSION
8	*4399088	SCREW
9	*2001316	EXTENSION
10	*9233371	TUBELESS ROLLER KIT + ADAPTOR KIT
11	*3001307	WASHER
12	*4399119	ELASTIC PIN D.6x10
13	*4399120	SCREW 10x20
14	*3001308	ROLLER
15	*3001309	SHAFT
16	9219118	460/08 TUBELESS ROLLER ADAPTOR KIT
17	*3001311	CLAMP
18	*3001310	SCREW
19	*2001312	CLAMP WITH SCREW
20	*2034827	CLAMP FOR ALLOY RIM
21	2009782	PLIER
22	*2019650	PLIER
23	*3001304	SCREW ANCHOR
24	*4399121	SCREW 6x6
25	*3001303	LOWER COUPLING
26	*9299271	138/90 PLIERS FOR ALLOY RIMS
30	*9299274	135/90 TUBELESS ROLLER
31	3033675	CLAMP FOR ALLOY RIMS
32	9213747	KIT OF CLAMP PINS H=6 (4 PCS.)
33	9213748	KIT OF CLAMP PINS H=10 (4 PCS.)
34	9213749	KIT OF CLAMP PINS H=13 (4 PCS.)

*** = Non Stock Items**
Please, Contact Hennessy for Availability

COATS®

HENNESSY Industries, INC
1601 J.P. Hennessy Drive, LaVergne, TN 37086 USA
Toll Free 800-688-6496
www.coatsgarage.com