

COATS®

6450 2D/3D

Heavy Duty Wheel Balancers



Parts Identification

READ these instructions before placing unit in service. KEEP these and other materials delivered with the unit in a binder near the machine for ease of reference by supervisors and operators.

HENNESSY
INDUSTRIES

1601 J. P. Hennessy Drive, LaVergne, TN USA 37086 615/641-7533 800/688/6359 www.coatsgarage.com
HENNESSY INDUSTRIES INC. Manufacturer of AMMCO®, COATS® and BADA® Automotive Service Equipment and Tools.

Manual Part No.: 85606874 08
Revision: 09/17

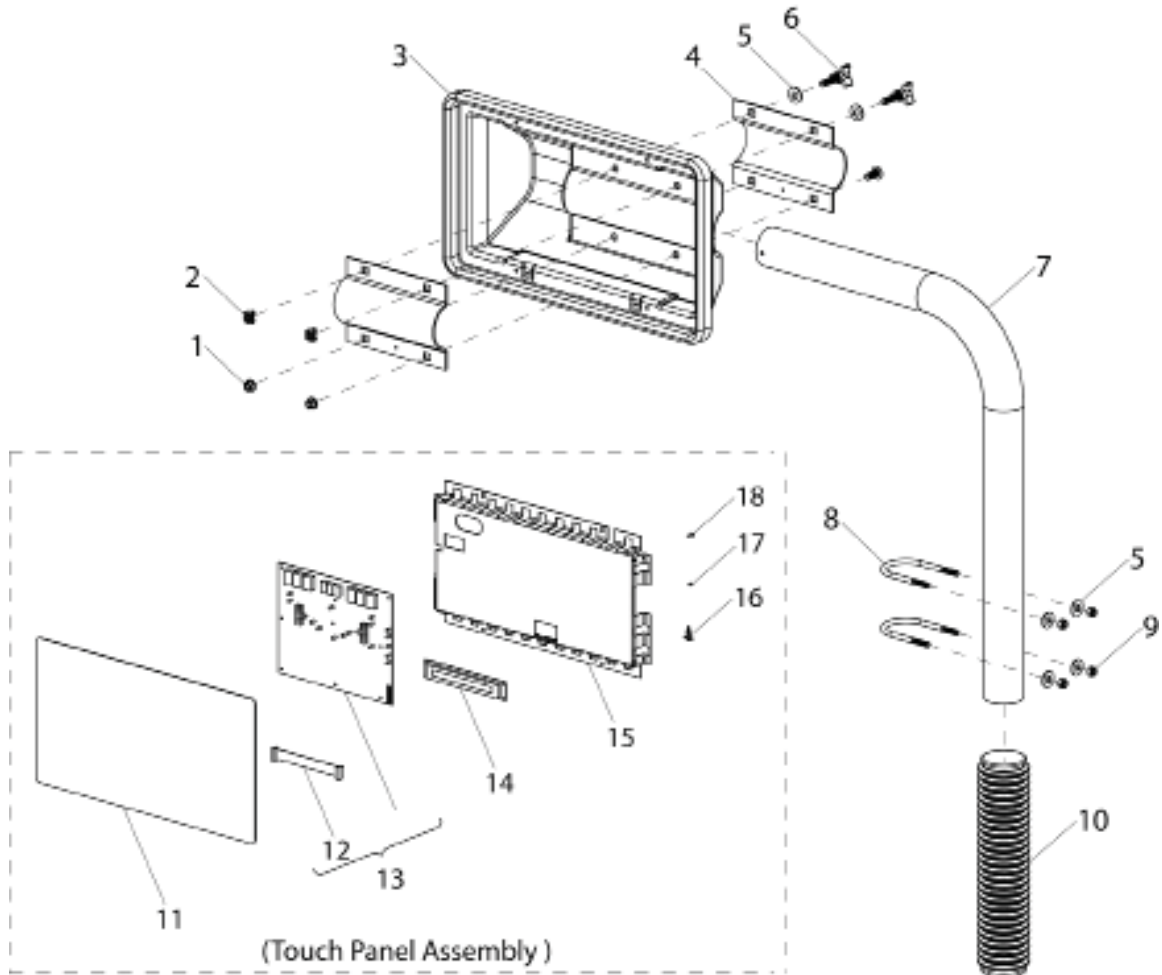
Parts Identification

The following pages include parts breakdowns with exploded view illustrations to help with ordering replacement or spare kits. Assemblies are noted where it is recommended that individual parts not be ordered separately. Note that the parts view illustrations are for multiple models and not all parts shown are on all models. Every effort is made to supply accurate exploded views, however, due to interim changes in manufacturing operations, some units may not be exactly as illustrated.

Table of Contents

Pod & Touch Panel Assemblies	3
Chassis Assembly	4
Wheel Guard Assembly.....	5
Distance Gauge Assembly	6
Motor Assembly	7
Power Panel & MCB - Baldor.....	8 - 9
Power Panel & MCB - Emerson.....	10 - 11

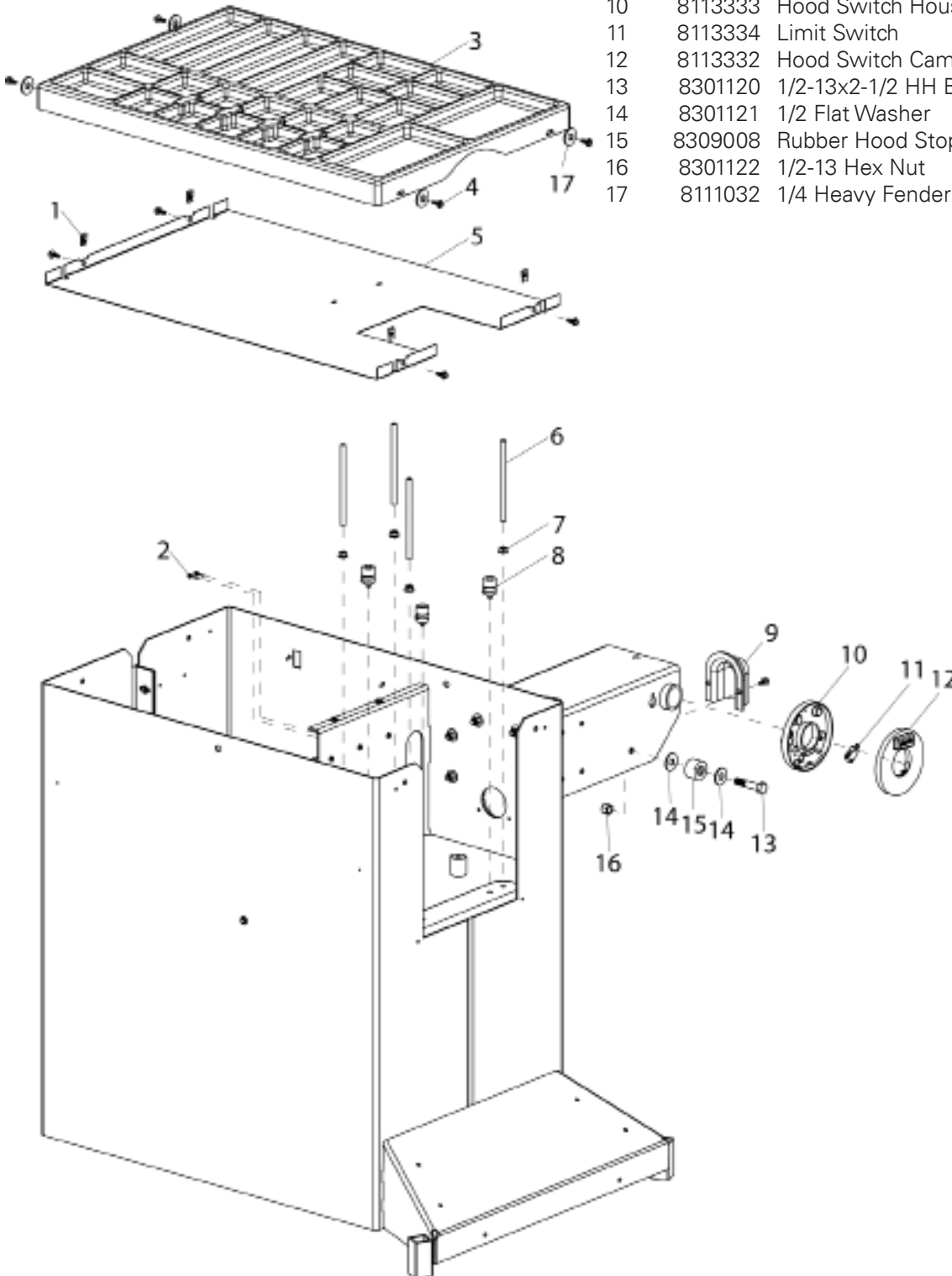
Pod & Touch Panel Assemblies



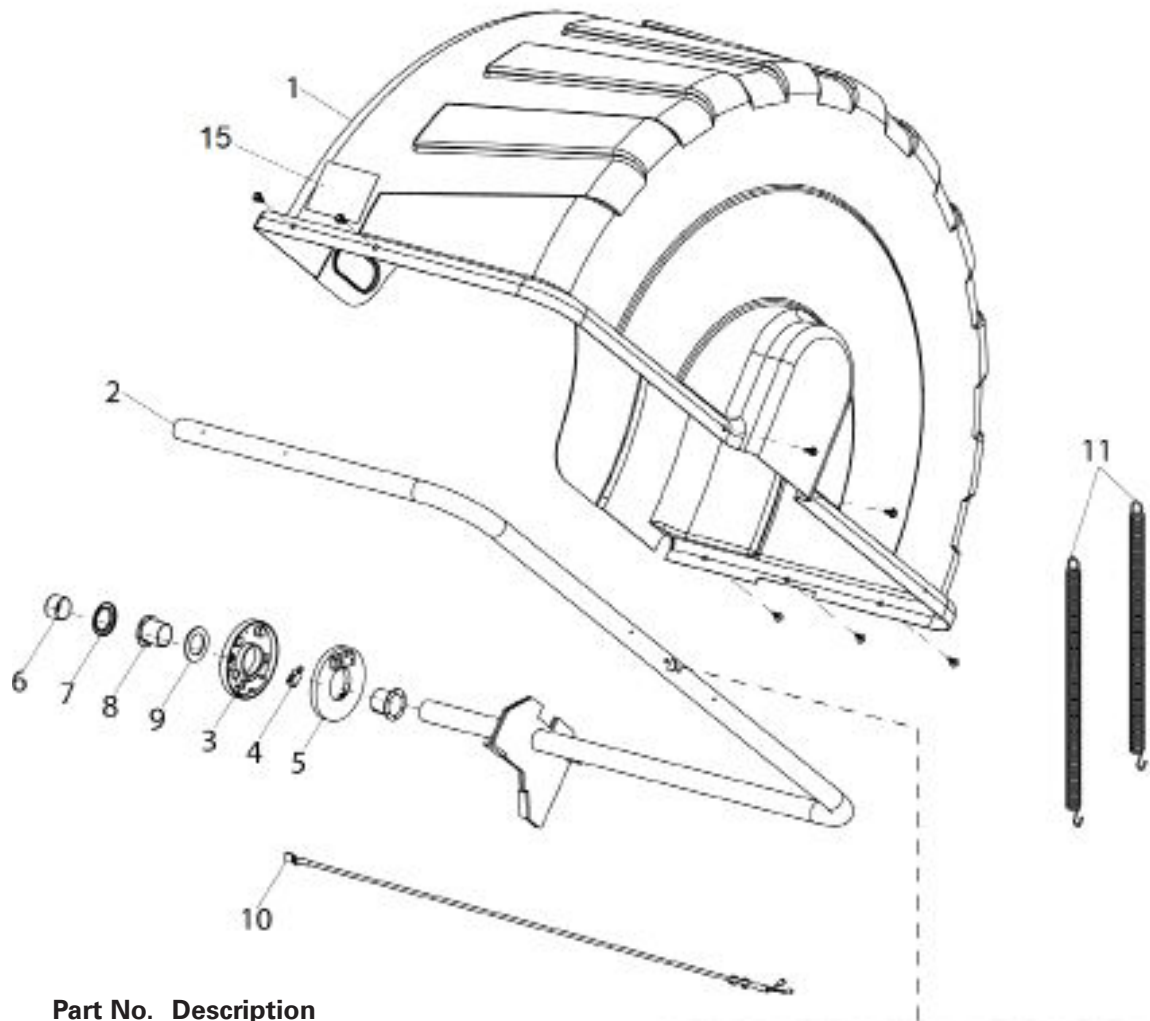
Item	Part No.	Description	Item	Part No.	Description
1	8106303	3/8-16 Whiz Lock Nut	11	85606733	Touch Panel (3D)
2	8143044	3/8-16 Tinnerman Nut	12	8114313	VFD Cable Only
3	8111031	Pod Electronics	13	85000846	PCB Display & Cable Assembly
4	8110795	Pod Mounting Bracket	14	8114302	Vacuum Fluoresent Display
5	8301032	3/8 Flat Washer	15	8113624	EMC Shield (Austr. Export Only)
6	8110817	Control Pod Knob	16	85000361	Snap-Lock Standoff
7	8110805	Support, Pod Tube	17	928487	4-40 x 3/16 Pan Hd. Screw
8	8110789	Bolt, 5/16-18 "U"	18	8301067	6-32 Phillip Hd. Screw
9	8181183	5/16-18 Nyloc Nut			
10	8110800	Pod Tube Cover			

Chassis Assembly

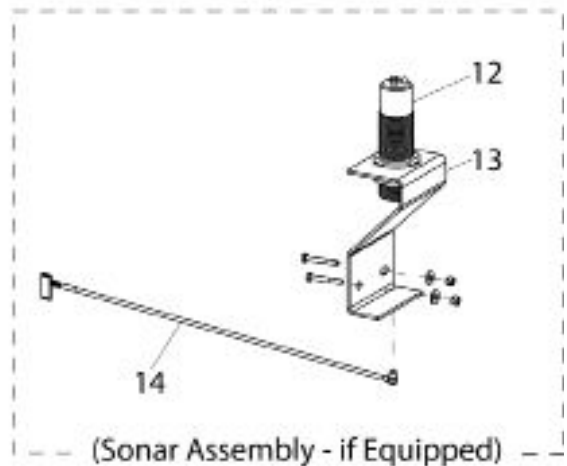
Item	Part No.	Description
1	8106304	1/4-20 Tinnerman Nut
2	8110560	#8-32x3/4 Screw
3	85010057	Weight Tray Assembly
4	8106301	1/4" Hex Self-Tap Screw
5	85600252	Weight Tray Shield
6	8108727	Threaded Rod
7	8106303	3/8-16 Hex Jam Nut
8	8114266	Piezo Assembly
9	8111029	Rear Harness Cover
10	8113333	Hood Switch Housing
11	8113334	Limit Switch
12	8113332	Hood Switch Cam/Cover
13	8301120	1/2-13x2-1/2 HH Bolt
14	8301121	1/2 Flat Washer
15	8309008	Rubber Hood Stop
16	8301122	1/2-13 Hex Nut
17	8111032	1/4 Heavy Fender Washer



Wheel Guard Assembly

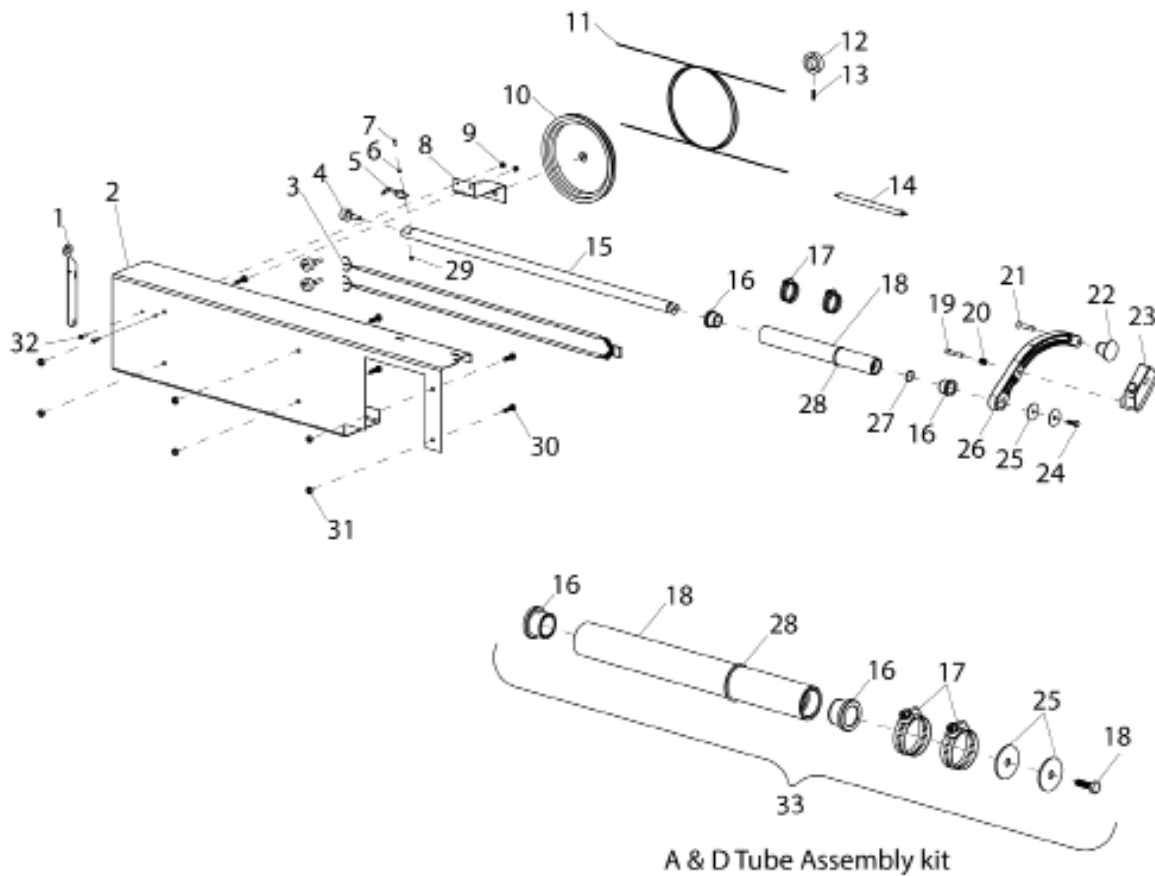


Item	Part No.	Description
1	85010058	Wheel Guard
2	85010059	Hood Bar W/C
3	8113333	Hood Switch Housing
4	8113334	Limit Switch
5	8113332	Hood Switch Cam/Cover
6	8109949	Hood Bar Cap
7	8109945	1-1/2" Retainer Washer
8	8307014	Flanged Nylon Bearing
9	8109944	Hood Bar Washer
10	85009988	Hood Switch Cable Assembly
11	8308062	Hood Spring
	85000304	Sonar Module
	85606751	Sonar Bracket
14	85606403	Sonar Cable Assembly
15	85010062	Decal - Wheel Size



Distance Gauge Assembly

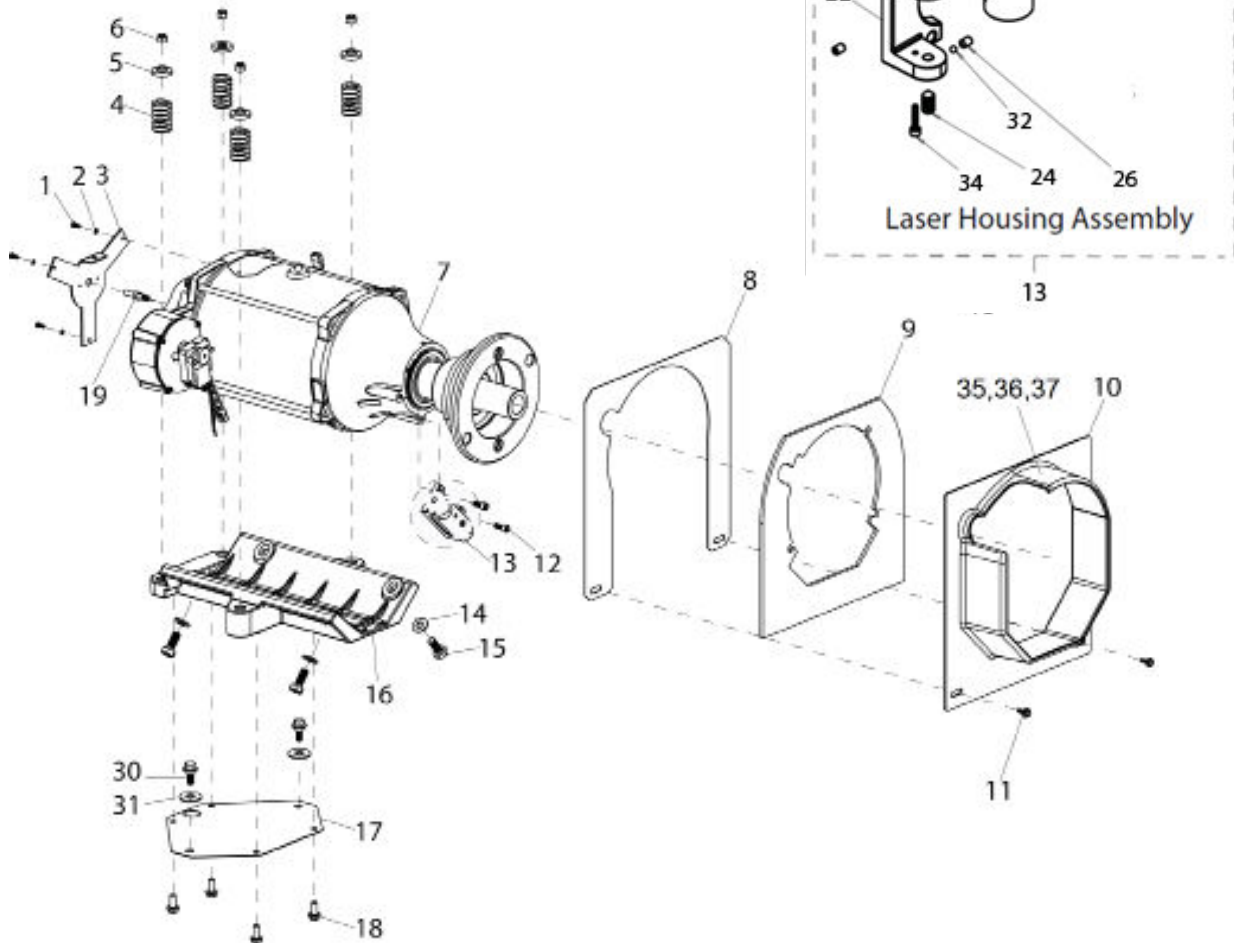
Item	Part No.	Description	Item	Part No.	Description
1	85600309	A & D Pendulum	19	8114379	SHC 1/4-20 x 1-1/4 lg.Screw
2	85600256	A & D Bracket	20	8114380	Compression Spring
3	8114298	A & D Wiring Harness Assy	21	8111173	1/4-20 x 1-1/2 FHS Screw
4	8303074	Potentiometer	22	8114253	Cone
5	80180019	String Bracket	23	85009229	Line Laser
6	80180021	Washer 3MM	24	85000731	Hex HD Cap Screw
7	80180020	Spring Bracket, 3MM Screw	25	8111032	1/4 Fender Washer
8	85600308	A & D Potentiometer Bracket	26	85600303	Arm
9			27	903174	Retaining Ring
10	85600259	Distance Pot Pulley	28	8100964	1 1/4-inch Retaining Ring
11	85606747	String	29	85609880	M6 x 12mm SHSSFP Screw
12	8114403	Pulley Collar	30	8301534	1/4-20 x 1 ZNC HHCS Screw
13	8114404	#10-24 x 3/4 SHSS Screw	31	8143169	1/4-20 ZNC Hex Nut
14	80180023	Spring	32	8111542	#8-32 X 5/8" SEM Screw
15	85600302	Distance Rod	33	85000732	A&D Arm Tube Assembly Kit
16	85000730	Distance Rod Bushing	34	85607675	A & D Arm Gusset
17	8114264	Hose Clamp	35	904379	Plain Washer, 0.281 ID x 0.625 3OD
18	8114255	A & D Tube			



Motor Assembly

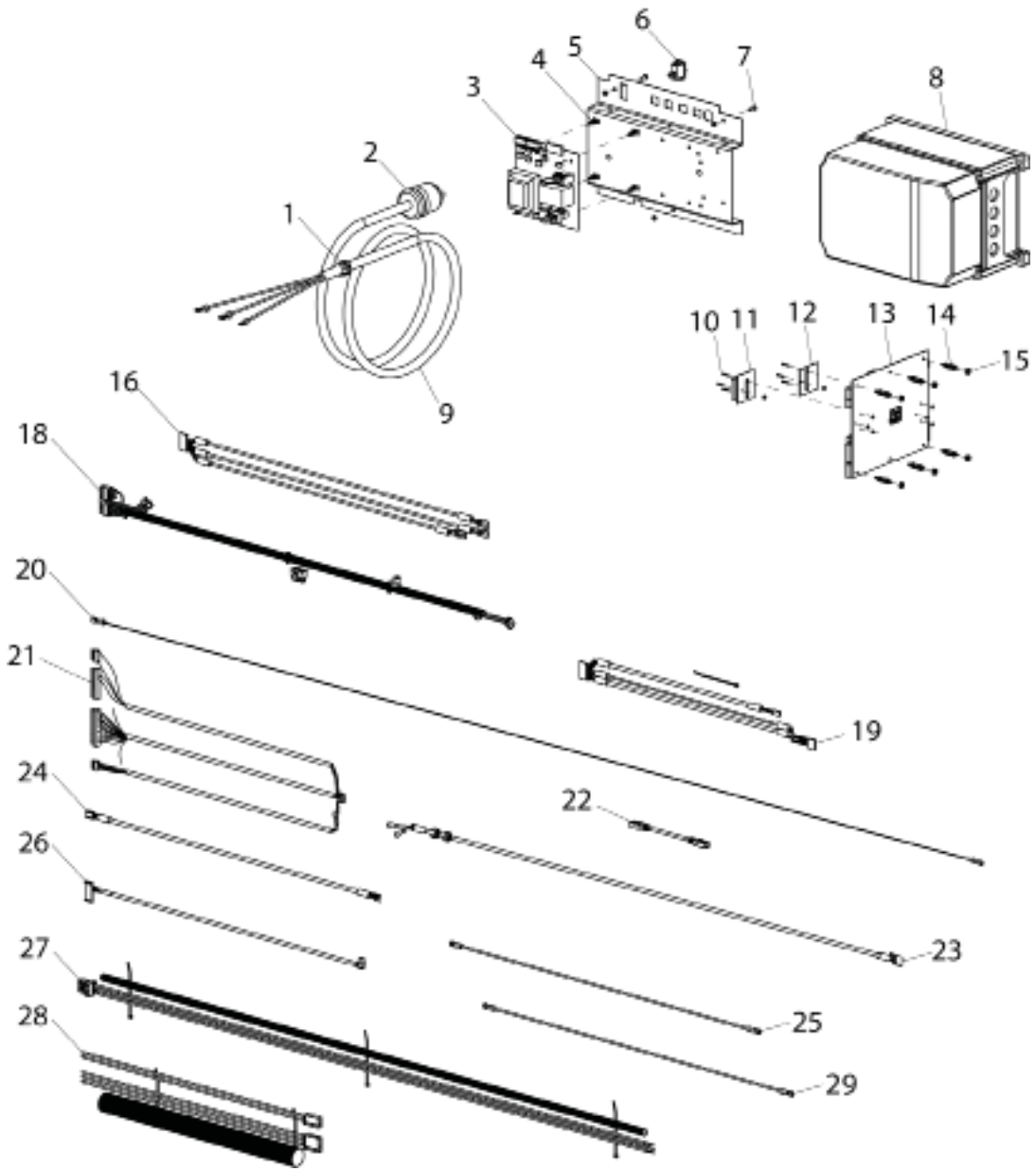
Item	Part No.	Description
1	8112191	10-24 x .50 HHMS Screw
2	8301806	#10 Lock Plated Washer
3	85606753	Encoder Mounting Bracket
4	8307008	Piezo Spring
5	8308036	Piezo Spring Retainer
6	8301035	3/8-16 Nyloc Nut
7	85010046	Motor Assembly
8	85600298	Motor Shield Cover
9	85600297	Motor Gasket
10	85010056	Motor Shroud
11	8106301	1/4" Hex Self-Tap Screw
12	8182149	5/16 x 3/4 HHC Screw
13	85610270	Laser Housing Assembly, Piggyback Processor Board
14	903214	1/2" Flat Washer
15	8140825	1/2-13 x 1-1/4 HHCS Screw
16	85010026	Cradle
17	85010087	Flex Plate
18	8106302	3/8-16 x 7/8 Whiz Lock HHCS Screw
19	85009971	Encoder Drive Shaft
20	8114241	Knob
21	8114237	3/8 x 2 Dowel
22	85610399	Bracket Assembly w/Bearing
24	85610252	3/8-16 x 3/4" LG Cone, PT Set Screw

Item	Part No.	Description
25	8114242	Plastic Washer
26	903208	1/4" Set Screw
27	8113561	Brush Spring
28	8113559	Brush Holder
29	8113560	Carbon Brush
30	85609427	3/8-16 x 1/2 SHSHS Screw
31	8301121	1/2 Flat Washer
32	906407	3/16 Diameter Nylon Ball
33	85610268	Rotary Laser Assembly,
34	928367	10-24 x 7/8" Screw
35	85608779	Decal - Shock
36	85610747	Decal - Laser
37	85610746	Decal - Laser



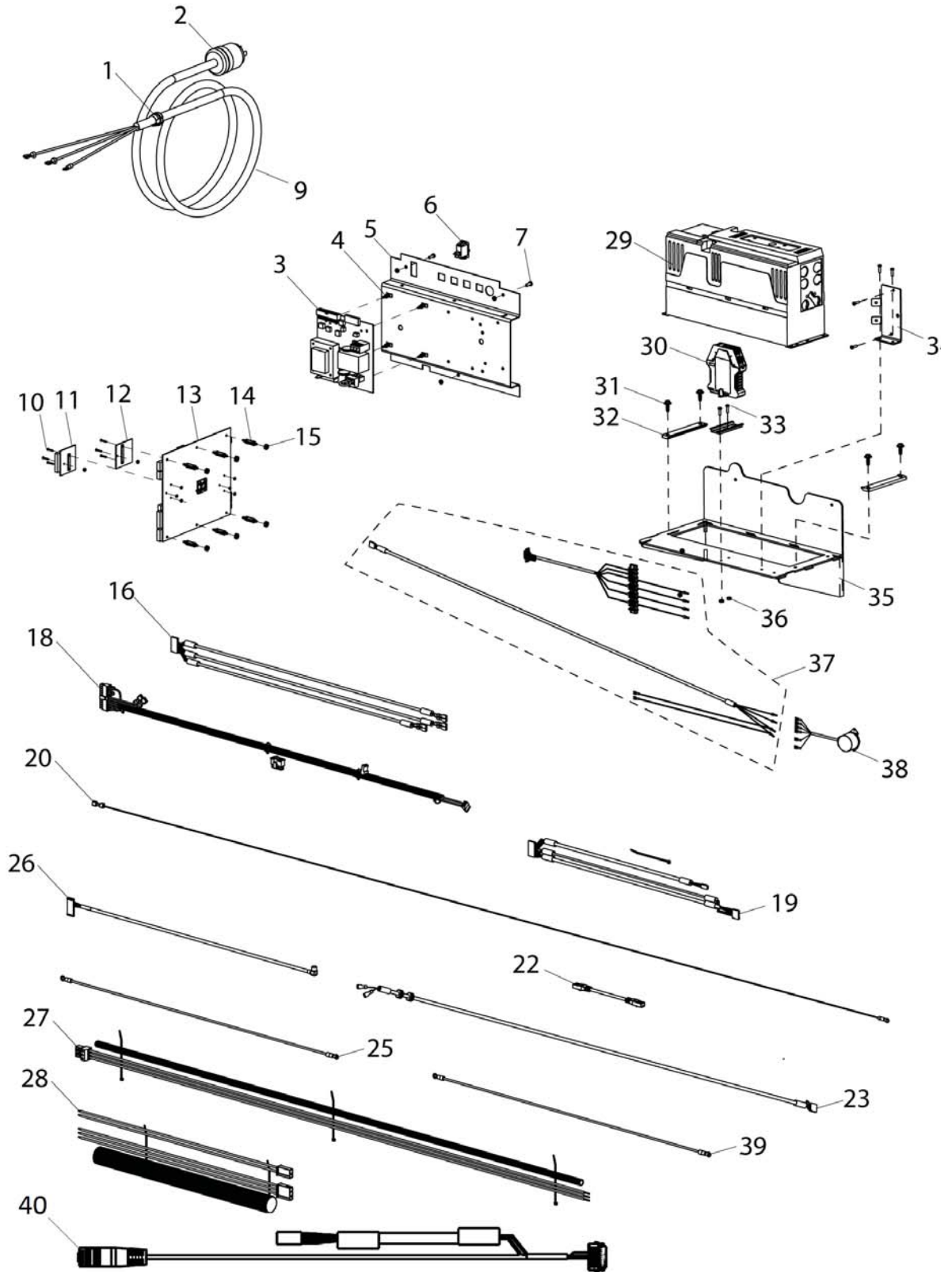
Power Panel & MCB - Baldor

Item	Part No.	Description	Item	Part No.	Description
1	806058	Strain Relief	15	8301804	#10-32 Hex Nut
2	8305076	1 Ph Plug, L6-20P	16	8114260	Piezo Harness Assembly
	8140786	3 Ph Plug, L15-20P	17		
3	85606375	Motor Control PCB	18	85606809	Fan Harness
4	85000361	Stand-off, Snaplock	19	8114259	MCB Cable Assembly
5	8110821	Power Panel	20	8114212	Drain Wire Assembly
6	8305802	ON/OFF Switch	21	85010014	Interface, Inverter, Encoder Cable
7	8301082	#8-32 x 1/2 PHM Screw	22	8114211	Cat 5, 2 Meter Lg. Cable
8	85009973	Inverter	23	85009988	Hood Switch Cable Assembly
9	8113101	Power Cord Assembly, 1 Ph	24	85010025	Interface, Encoder Cable
	8143127	Power Cord Assembly, 3 Ph	25	85010024	GRND Wire Assembly, 26"
10	85010029	#2-56 x 1/4 PPHMS Screw	26	85606403	SNR Cable Assy (3D)
11	85009994	Interface, SLR Card (3D)	27	85010022	Motor Harness Wire Assembly
12	85009993	Interface, Inverter Card	28	85600284	Invertor Motor Cable Assembly
13	85607328	Processor PCB - Baldor	29	85610264	Rotary Laser Ext. Cable 36", Piggyback Processor Board
14	8113996	Circuit Board Standoff			



Power Panel & MCB - Emerson

Item	Part No.	Description	Item	Part No.	Description
1	806058	Strain Relief	22	8114211	Cat 5, 2 Meter Lg. Cable
2	8305076	1 Ph Plug, L6-20P	23	85009988	Hood Switch Cable Assembly
	8140786	3 Ph Plug, L15-20P	25	85010024	GRND Wire Assembly, 26"
3	85606375	Motor Control PCB	26	85606403	SNR Cable Assy (3D)
4	85000361	Stand-off, Snaplock	27	85010022	Motor Harness Wire Assembly
5	8110821	Power Panel	28	85600284	Invertor Motor Cable Assembly
6	8305802	ON/OFF Switch	29	85609943	Inverter - Emerson
7	8301082	#8-32 x 1/2 PHM Screw	30	85609951	Optical Isolator Module
9	8113101	Power Cord Assembly, 1 Ph	31	8106301	1/4" Hex Self-Tap Screw
	8143127	Power Cord Assembly, 3 Ph	32	85610183	Clamp Plate
10	85010029	#2-56 x 1/4 PPHMS Screw	33	8111542	8-32 x 5/8 Lg. PHP SEM Screw
11	85009994	Interface, SLR Card (3D)	34	85610063	Terminal Block Mounting Bracket
12	85009993	Interface, Inverter Card	35	85610082	Inverter Base Plate, Emerson
13	85609931	Processor PCB - Emerson	36	8301084	#8-32 Kep Nut
14	8113996	Circuit Board Standoff	37	85610059	Comm. Cable, Emerson Assy.
15	8301804	#10-32 Hex Nut	38	85610094	Motor Encoder - Emerson Inverter
16	8114260	Piezo Harness Assembly	39	85610264	Rotary Laser Ext. Cable 36", Piggyback Processor Board
18	85606809	Fan Harness	40	85609961	Emerson Interface Cable
19	8114259	MCB Cable Assembly			
20	8114212	Drain Wire Assembly			



Standard Accessories



No. 8308628 Small A Cone
2.44 - 3.12 inches



No. 8308629 Medium B
Cone 2.78 - 3.46 inches



No. 8308630 Large C Cone
2.98 - 5.06 inches



No. 8308631 Extra Large
Cone 4.52 - 6.95 inches

Optional Accessories



No. 8143935 Large Budd
Wheel Adapter



No. 8109877 Hub Style (Baby
Budd) Adapter



No. 8110785 Dayton Stan-
dard Center Adapter 20 - 22.5
inches



No. 8110786 Extension Kit
for Dayton Standard Adapter
24.5 - 26 inches



No. 85009086 Balancer
Chuck with Plate 8 - 12 inches



No. 85009087 Front Plate 12
inches



501 Wheel Lift



575 Wheel Lift
(tire/wheel assembly not
included)