

TIRE DEALERS

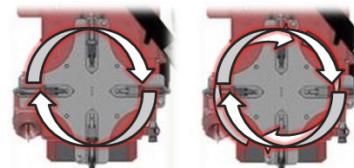
Maximize Uptime With The Industry's Most Durable Products

90X RIM CLAMP® TIRE CHANGER

For When Your Customers Demand
The Very Best



Two-Speed Electric Motor



One-Speed

Two-Speed

The Coats® two-speed electric motor provides total control based on application difficulty.

Leverless Duckhead® Mount/Demount Tool



This feature acts as a traditional helper device and eliminates traditional tire tools that can mar the surface due to application difficulty.

RoboRoller™ Powered Assist



The RoboRoller® provides additional power when mounting difficult tire assemblies by preventing the bead from rolling back over the mount tool.

90X RIM CLAMP® TIRE CHANGER

To learn more about the Coats 90X tire changer, or any of our other quality products, contact your authorized Coats distributor or call **1-855-876-3864** for the dealer nearest you.

COATS®

CONTACT US NOW

www.coatsgarage.com
or call 1-855-876-3864



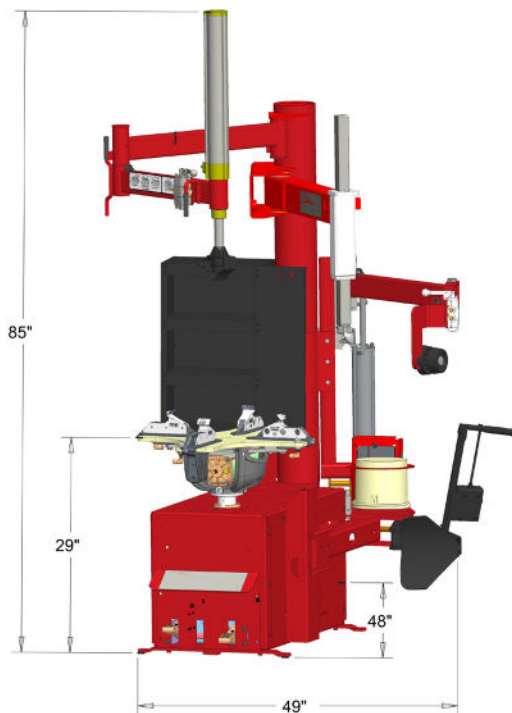
90X RIM CLAMP® TIRE CHANGER

YOUR COMPLETE GO-TO MACHINE

SPECIFICATIONS

Wheel Handled	Alloy and Steel for Car and Light Truck
Rim Diameter	6" - 28" External
Maximum Tire Diameter	50" Max
Maximum Rim Width	14" Max
Bead Loosening System	Hand or Foot Control, Up to 14" Wide
Wheel Clamping System	4 Clamps, Air Cylinder Operated
Mount/Demount Mechanism	Swings Away for Better Access and Durability
Helper Devices	Robo-Arm® (18" of Automated Vertical Stroke) RoboRoller™ Leverless Bead Lifter
Bead Seating Air Volume	Vertical 5.4 Gallons in Tower
Inflation Gauge	0 - 60 psi
Air Supply Gauge	0 - 300 psi
Air Drive System	1.5 HP Air Motor, 110 - 175 psi, 15 scfm (Air Model Only)
Electric Drive System	1 HP, 2-Speed Electric Motor, 115 V, 60 Hz, 15amp (Electric Model Only)
Footprint	49"w x 48"d x 85"h
Ship Weight	800 lbs.
Warranty	3 Year Parts, 6 Months Labor
Part Number	Air Model: 80090XAHL Electric Model: 80090XEHL

EQUIPMENT FOOTPRINT



ACCESSORIES

* Included With Purchase

Part Number	Description
*8183606	Bead Loosener Shoe Socks - 2
*85009048	Paste Lube Bracket & Brush
*8183710	Paste Lube
*85607787	Grip-Max® Plus Clamps - 4 (6" - 24")
*85607986	Grip-Max® Plus Extended Clamps - 4 (16" - 28")
*8560716108	Grip-Max® Plus Grips - 8
*85610105	Premium Storage Cabinet
*89233409	Leverless Duckhead® mount/demount tool plastic inserts
85000783	LiftTool Socks - 10
85609077	Manual Bead Depressor Kit

RECOMMENDED OPTIONAL ACCESSORIES



EL-X Express Lane®
Inflation System
(PN 85607770)



Grip-Max® Plus
Replacement Grip Set - 8
(PN 8560716108)



Point-of-Use Lift System
(PN 85608609)



Manual Drop
Center Tool
(PN 84356885)



Auxiliary Bead Sealer (ABS)
(PN 85606545)



Paste Lube Bucket
(PN 8183710)

COATS®