

GENERAL REPAIR

Complete Your Shop With Coats® Equipment



RC-45 RIM CLAMP®

TIRE CHANGER

Reliable. Dependable.
Durable.

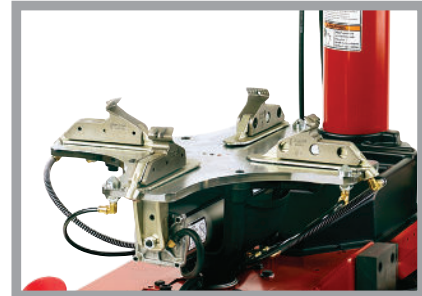


Manual Swing Arm



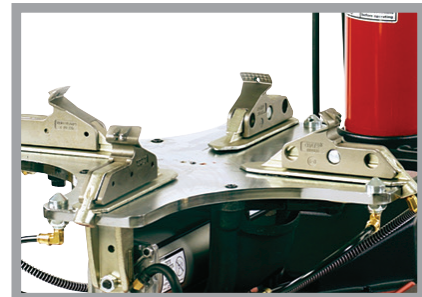
The Manual Swing Arm is easily adjusted so that the Coats Duckhead® Mount/Demount Tool is properly fitted to the tire rim.

Built-in Bead Sealing Jets



Quickly seals beads while tabletop inflation provides a faster workflow.

Best-In-Class Clamping Capacity



External clamping from 6" up to 24."

RC-45 RIM CLAMP® TIRE CHANGER

To learn more about the Coats RC-45 tire changer, or any of our other quality products, contact your authorized Coats distributor or call **1-855-876-3864** for the dealer nearest you.

COATS®

CONTACT US NOW

www.coatsgarage.com
or call 1-855-876-3864



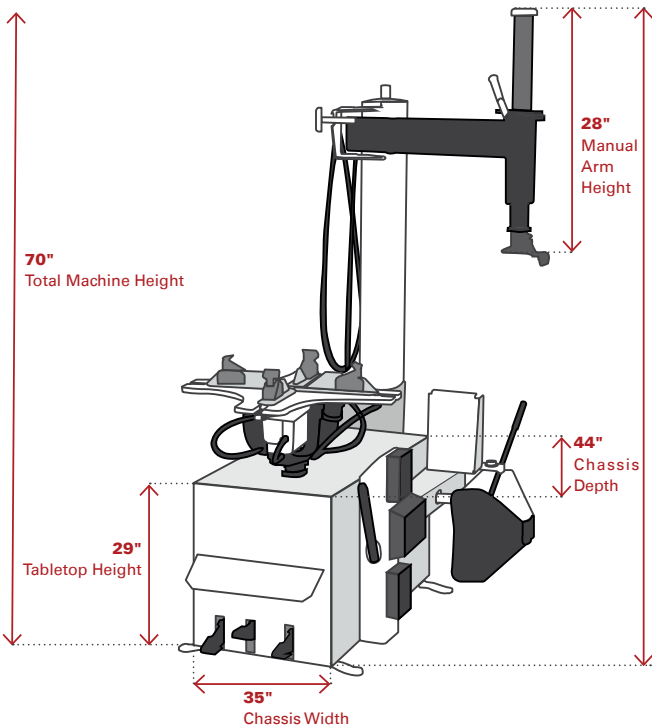
RC-45 TIRE RIM CLAMP® CHANGER

RELIABLE. DURABLE. UP FOR THE TASK.

SPECIFICATIONS

| | |
|-------------------------|--|
| Wheel Handled | Alloy and Steel for Car and Light Truck |
| Rim Diameter | 6" - 24" External |
| Maximum Tire Diameter | 50" Max |
| Maximum Rim Width | 10.5" Max |
| Bead Loosening System | Foot Control, Up to 10.5" Wide |
| Wheel Clamping System | 4 Clamps, Air Cylinder Operated |
| Mount/Demount Mechanism | Swings Away for Better Access and Durability |
| Helper Devices | N/A |
| Bead Seating Air Volume | 3.4 Gallons in Tower |
| Inflation Gauge | 0 - 60 psi |
| Air Supply Gauge | 0 - 300 psi |
| Air Drive System | 1.5 HP Air Motor, 110 - 175 psi, 15 scfm (Air Model Only) |
| Electric Drive System | 1 HP Electric Motor, 115 V, 60 Hz, 15amp (Electric Model Only) |
| Footprint | 35" w x 44" d x 70" h |
| Ship Weight | 600 lbs. |
| Warranty | 1 Year Parts, 6 Months Labor |
| Part Number | Air Model: 85609949 Electric Model: 8560994901 |

EQUIPMENT FOOTPRINT



ACCESSORIES

* Included With Purchase

| Part Number | Description |
|-------------|--|
| *8182961 | Duckhead® Mount/Demount Tool Inserts - 2 |
| 8183606 | Bead Loosener Shoe Socks - 2 |
| 85009048 | Paste Lube Bracket & Brush |
| 8183710 | Paste Lube |
| 85607787 | Grip-Max® Plus Clamps - 4 |
| 8560716108 | Grip-Max® Plus Grips - 8 |
| 8184432 | Grey High Spoke Duckhead® Mount/Demount Tool |
| 85608959 | Hybrid Duckhead® Mount/Demount Tool |
| 85000783 | Lift Tool Socks - 10 |
| 85610105 | Premium Storage Cabinet |
| 8183061 | Plastic Duckhead® Mount/Demount Tool |
| 85609077 | Manual Bead Depressor Kit |
| 8183604 | Steel Clamp Booties |

RECOMMENDED OPTIONAL ACCESSORIES



EL-X Express Lane Inflation System (PN 85607770)



Point of Use Lift System (PN 85608609)



Auxiliary Bead Sealer (ABS) (PN 85606545)

COATS®