

TIRE DEALERS

Maximize Uptime With The Industry's Most Durable Products

1500-3D DIRECT DRIVE WHEEL BALANCER

Legendary reliability
with state of the art
capability.



Powered by Direct Drive



Motor and spindle are combined into a single, pre-balanced assembly that always stays calibrated to zero.

Laser Guided Operation®



Pinpoints the exact weight location, both radially and axially and eliminates trial and error.

Stop, Lock & Index



Automatically positions the wheel at the weight placement location and locks the spindle in place for easy, accurate weight application.

1500-3D DIRECT DRIVE WHEEL BALANCER

To learn more about the Coats 1500-3D Wheel Balancer, or any of our other quality products, contact your authorized Coats distributor or call **1-855-876-3864** for the dealer nearest you.

coats

CONTACT US NOW

www.coatscompany.com
or call 1-855-876-3864

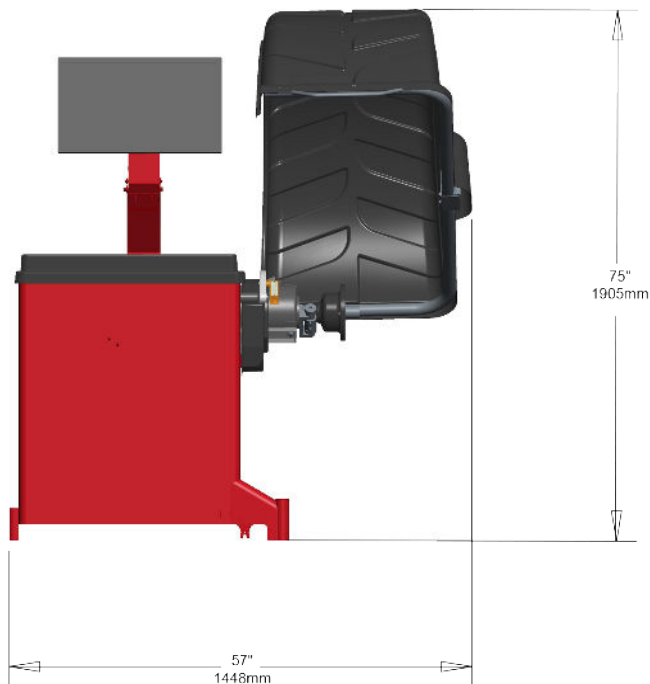


1500-3D DIRECT DRIVE WHEEL BALANCER

LEGENDARY RELIABILITY WITH STATE OF THE ART CAPABILITY.

| SPECIFICATIONS | |
|-------------------------|--------------------------------------|
| Balancing Modes | 8 |
| Wheel Diameter Range | 8" - 30" |
| Wheel Width Range | 2" - 20" |
| Maximum Tire Diameter | Up to 44" |
| Maximum Tire Weight | 160 lbs. |
| Shaft Diameter | 40 mm |
| Footprint | 57"w x 55"d x 75"h |
| Ship Weight | 616 lbs. |
| Interface | LED |
| Automatic Data Entry | Distance/Diameter/Width |
| Electrical Requirements | 220v, 1ph or 220v, 3ph |
| Warranty | 3Year Parts, 6 Months Labor |
| Part Number | 80015003D - 1ph 80015003D01 - 3ph |

EQUIPMENT FOOTPRINT



CLASS 2 LASER PRODUCT
LASER LIGHT - DO NOT STARE INTO THE BEAM
635nm - 660nm < 1mW CW



| ACCESSORIES | | * Included With Purchase |
|-------------|------------------------------------|--------------------------|
| Part Number | Description | |
| *85608850 | Stud - Weight Tray (3) | |
| *85609499 | Double Sided Collets (2.04"-5.20") | |
| *8309011 | Calipers | |
| *85607780 | Premium Wheel Weight Hammer | |
| *85607503 | Premium Quicknut | |
| *8112106 | Small Pressure Cup & Rubber Lip | |
| *85608312 | No Mar Ring | |
| *8112107 | Spring | |
| *8113390 | Scraper | |
| *85612685 | Side Shadow Board | |

RECOMMENDED OPTIONAL ACCESSORIES



Adjustable Pin Plates
(PN 8200000400)



Ford ULA
3 Degree Cone
(PN 81141821)



Light Truck Cone Kit
(PN 8113277C)



Premium Hub Nut
(PN 85610908)



Short Cone
(PN 8112421)



Toyota Adapter Kit
(PN 85009945)

