

COATS®

» Product Catalog »

» Table of Contents

Coats Company Fact Sheet.....3

Portfolios.....5

Pro Series.....5

Maxx Series.....7

Coats Connect Service.....9

Tire Changers11

Maxx 90.....11

Maxx 80.....13

Maxx 70.....15

Maxx 50.....17

Center Clamp (90C,80C).....19

RC Series (RC 55, RC 45).....22

Tiltbacks (APX90, APS3000, 9028E).....25

CHD Series.....27

HIT Series.....29

Popular Tire Changer Accessories.....31

Maxx Air Compressors.....33

Wheel Balancers.....37

E900.....37

1600.....41

1500.....43

1300.....45

6450 HD Kit.....47

Space Saving Balancers (1185, 885).....49

Popular Wheel Balancer Accessories.....51

2 Post Lifts.....53

10K 2 Post Lifts.....53

12K 2 Post Lifts.....54

16K and 20K 2 Post Lifts.....54

Alignment and Service Lifts.....57

Scissor Alignment Lifts.....57

15K and 19K 4 Post Lifts.....59

30K and 33K Heavy Duty 4 Post Lifts.....61

Mobile Columns.....61

Rolling Jacks.....62

Low Profile Lifts.....63

10K Low Rise Cantilever Pad Lift.....63

10K Dual Scissor Lift.....65

6.6K Mid Rise Scissor Lift.....67

6K Mid Rise Portable Lift.....69

Lift Accessories.....71

Aligners.....73

6500.....73

6000.....75

Inspection Lane.....77

Alignment Check Towers (EVO, PLUS).....79

Tread Depth Scanner.....81

Bodyguard.....83

Warranty.....86

COATS

Company Fact Sheet

ABOUT US

Coats is a leading smart repair brand specializing in the vehicle maintenance systems, service and data that keep work flowing.

We offer a full-shop portfolio of tire changers, wheel balancers, aligners, lifts, and inspection technologies, designed and built in the U.S. and serviced locally by our own factory-trained service technicians.

Our team of smart repair pros work in complete alignment with customers on a single mission -- to create High Performing Shops where people keep moving and technology turning.

Everything we do is designed for ease-of-use and serviceability and delivered with the authentic Coats Attitude.



78+ Years
serving the market.



1 Headquarter and manufacturing site in La Vergne, TN

1 Manufacturing site in Toronto, Canada



We service high performing shops
~100,000 Shops



175
factory-trained service techs

300+
employees

WHAT MAKES US DIFFERENT

» Full Shop

We offer a full-shop portfolio of systems and services that keep your people moving and technology turning.

» Ability

We know how work gets done. Every system and service we build helps you get the job done right quickly, safely, and with the quality your customers count on.

» The Coats Attitude

We bring a mindset that helps everyone succeed to customers, team, and suppliers. Creativity, agility, and problem-solving shapes everything we do.

WHO WE SERVE



Tire Dealers



National Mass Merchandisers



General Repair Facilities



New and Used Car Dealerships



Government



Rental Fleet Service Operations



Quick Lube Shops



Agricultural Applications

OUR FULL SHOP OF SYSTEMS AND SERVICE

 **Pro Series**

Coats Pro Series are the measurement and diagnostic systems your shop needs to boost the ride quality and safety of your customers' vehicles.



 **Maxx Series**

Coats Maxx Series are the technologies your techs need to make redundant tasks and manual processes faster and easier.



 **Connect Service**

Coats Connect are your long-term smart repair tech pros, providing top-tier service, unmatched access to OEM parts, and hands-on and remote coaching for Coats systems and technologies.



Visit Our Website


coatscompany.com

Call Us

800-688-6359

Email Us

dispatch@coatsconnect.com

 /coats-company

 @thecoatscompany

 @thecoatscompany

 @thecoatscompany

Scan the QR code to reach our contact page or visit coatscompany.com/contact



We boost ride quality and safety.



Coats Pro Series are the measurement and diagnostic systems your shop needs to boost the ride quality and safety of your customers' vehicles.

COATS PRO SERIES

Designed for high performing tire service providers, our portfolio includes wheel balancers, aligners, and vehicle inspection systems that identify and correct tough issues like imbalance, alignment, and tread depth.

Techs trust Coats.

They've told us that our Pro Series offers all the technology they need to do their jobs efficiently and accurately with an easy, intuitive interface.

Our Pro Series Portfolios



Wheel Balancers

Our full range portfolio of wheel balancers for passenger vehicles and light trucks has validated claims for durability, serviceability, ease of use, and uptime. We were the first to innovate with direct drive technology.

The industry's only
10 Year Motor Warranty



Aligners

Our 3D wheel alignment systems are for measuring and adjusting wheel angles to meet manufacturer specs. Our aligners are designed to grow with your shop – from a base aligner all the way through to advanced aligners paired with accessories for high volume shops.

Works with
ANY
properly installed
alignment lift.



Inspection

Our complete wheel inspection system includes hardware and software to automatically check alignment, tread depth, and body condition of cars and small trucks that enters a service lane. The Coats Inspection Lane helps tire service providers triple their alignment business.

A complete wheel inspection
in 3 seconds

OUR UNIFYING ENGINEERING PRINCIPLES

Designed with techs in mind

Diagnostic reports and measurements

We provide the performance data outputs needed to make real-time decisions and informed recommendations to customers, quickly with confidence.

Convenient Automation

We reduce manual inputs and build automation into your shop to reduced customer wait times and accelerate the pace and quality of services.

User Centered Interfaces

Our software and controls are designed to be simple, intuitive, and easy-to-train for results that are fast and accurate.

Serviceability

Pro Series is designed for serviceability through Coats Connect, which has the industry's only service network that is staffed coast to coast by our factory-trained techs and is supported by a central dispatch, actively managing from call to completion.



BE A PRO

Get the job done right

Your technicians get the technology they demand and can identify and correct wheel issues before they become wheel crisis.

Technology that's tested by the smart vehicle repair pros you trust.

FULL SHOP Smart vehicle repair shops standardize on Coats

We offer services across our full-shop portfolio of technologies. These are the **lifts, tire changers, wheel balancers, aligners, digital vehicle inspections, and more** that are feature-rich and vital for your shop to make money. Our full shop portfolio is designed for safety. Designed for serviceability. Designed to last.

Coats Pro Series

Our Pro Series portfolio includes the wheel balancers, aligners, and vehicle inspection systems, so that your shop is the complete provider of wheel diagnostics and repairs. Your team earns trust and repeat business because customers remember who gets the job done right.

We equip you with profit driving technology.

Scan the QR code to reach our contact page or visit coatscompany.com/contact



COATS

Maxx Is Technology With a Single Job. To Get It Done Right.

Coats Maxx Series are the technologies your techs need to make tough tasks and manual processes faster and easier.



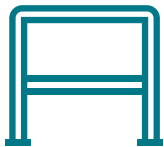
COATS MAXX SERIES

Our Maxx Series includes single purpose technologies like tire changers and automotive lifts that do one job – and do it better than any other on the market today.

Engineered for relentless use.

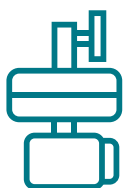
That's why the largest tire dealers and repair shops in the world rely upon Coats Maxx Series.

Our Maxx Series Portfolio



Maxx Lifts

Made to lift cars and light trucks of all sizes for techs to complete all under vehicle services and wheel alignments. Coats' lifts are 100% compliant with industry safety and operational standards and **nearly all models are ALI-certified**. Maxx Lifts offer reinforced structural components, premium power units, and corrosion-resistant finishes – all designed to withstand debris and corrosion and minimize maintenance. Maxx Lifts pair seamlessly with Coats wheel alignment systems.



Maxx Tire Changers

Our tire changers are engineered and built to do the job at hand – **withstand thousands of hours of tire changing cycles**. Regardless of tire size, weight, or difficulty, your techs can apply the same process every time with Maxx Changers. When combined with replaceable wheel protection options and inflation accessories, Maxx Tire Changers promise up to 20% technician productivity and guaranteed to prevent rim damage to your customers' wheels.

YOUR BEST TECHS DESERVE THE BEST TECHNOLOGY

Keeping People Moving and Technology Turning



Serviceability

Our Maxx technologies are designed for serviceability -- through Coats Connect, our service arm. It's the industry's only service network staffed coast to coast by our own factory-trained techs and product support pros and supported by central dispatch actively managing from call to completion.

OEM Parts

We offer unmatched access to OEM parts designed and manufactured to meet exact specifications of our systems.

Engineered Tough

Our engineers spend thousands of hours designing, testing, and perfecting our lifts and tire changers to exceed performance expectations. We spec the highest quality materials, ensuring that all components work seamlessly.

North America

Coats Maxx Series tools are designed and built in North America.



DURABLE AND EASY-TO-USE

Maxx is an Investment in Your Future

High performing shops need mission critical technologies that increases speed, safety, and productivity, and service. The bottom line depends on it.

Your shop's technology doesn't just save time, it makes time.

**FULL SHOP
Smart vehicle repair
shops standardize
on Coats**

We offer services across our full-shop portfolio of technologies. These are the **lifts, tire changers, wheel balancers, aligners, digital vehicle inspections, and more** that are feature-rich and vital for your shop to make money. Our full shop portfolio is designed for safety. Designed for serviceability. Designed to last.

Coats Maxx Series

Our Maxx Series portfolio includes single purpose-built tire changers and lifts engineered to tackle the toughest jobs with unmatched efficiency and durability. Designed for relentless use in high-demand environments, Maxx Series helps you standardize your shop on equipment that's made to last — because when your technology works harder, your shop runs smarter.

Challenge Maxx to rise to the demands of your shop.

Scan the QR code to reach our contact page or visit coatscompany.com/contact



COATS

COATS



COATS CONNECT SERVICE

Keep Work Flowing with Coats Connect Service

We're your long-term smart repair pros here to maximize your Coats system and tools investment, avoid downtime and save money.

COATS CONNECT SERVICE

Coats Connect is the service arm of Coats, the vehicle repair pros you know and trust. We provide top-tier service, unmatched access to OEM parts, and hands-on and remote coaching for Coats systems and technologies.



SERVICES

What We Offer



As Needed Repairs

Our goal is always to address your needs in real time. When it's not possible to do it remotely, a local Coats Connect service technician will contact you within 24 hours to schedule your repairs. We achieve this service level because our Coats Service Network of field techs live and work in your communities.



Unmatched Access to OEM Parts

Coats parts are designed & manufactured to meet exact specifications of our systems and tools. Our parts are accessible through Coats only to ensure integrity, and accelerate pace and quality of repairs.



Scheduled Service

We offer an annual pre-planned visit to inspect and maintain all Coats systems and provide supplemental technician training.



Lift Inspections

We are tested, qualified, and ALI Certified to inspect ANY brand of lift, using the ALI Check360 Certified Lift Inspection Program. Be confident that your lifts have been annually certified, maintained, and inspected to meet safety and health standards.



Coats College

We provide boots on the ground training for your staff. Plus, world-class on-demand virtual training through Coats College. Our Team remains to monitor system performance and continuously tune-up during scheduled maintenance. Coats pros are there when it matters most.



COATS SERVICE NETWORK

Dedicated to Top Tier Service

Our people undergo rigorous training that combines classroom instruction, field experience and includes subsequent training on new products and technologies.

One Call, Dependable Service

As part of our promise of maximizing uptime and reliability, all service and maintenance needs are dispatched centrally through our customer service call center and actively managed from call to completion in Nashville, TN.

If we can't address your needs remotely, we will dispatch a tech who lives and works in your community to get the job done.

**FULL SHOP
Smart vehicle repair
shops standardize
on Coats**

We offer services across our full-shop portfolio of technologies. These are the **lifts, tire changers, wheel balancers, aligners, digital vehicle inspections, and more** that are feature-rich and vital for your shop to make money. Our full shop portfolio is designed for safety. Designed for serviceability. Designed to last.

Call Us

800-688-6359

Email Us

dispatch@coatsconnect.com

Scan the QR code to reach our contact page or visit [coatscompany.com/contact](https://www.coatscompany.com/contact)



COATS



SEE THE MAXX 90
IN ACTION



Maxx 90



The Maxx 90 is our most complete, premium rim clamp tire changer for high volume tire dealers. Change everything from standard steel wheels to non-compliant tires for passenger cars and light trucks.

- » Clamps the largest wheels of any rim clamping tire changer, right out of the box. (30" external clamping, up to 16" rim width)
- » Includes the most complete set of helper systems, designed to protect wheels, techs, and minimizes the need for a second tech when changing difficult wheels



Robo-Arm®

This articulating assist pushes the tire bead in the drop center when mounting to create a bead lock, and helps with difficult low profile and run-flat tires. Additionally, it can lift heavy tires and help techs avoid back injury when dismounting bottom beads.



Leverless Bead Lifter

A helper bead lifter that gets under the tire bead and lifts it without needing to use a tire bar, which may damage the wheel service. Changing tires becomes easier and faster with less risk for rim damage.



Hand or Foot Bead Loosener

Your techs can choose their preferred bead loosening method. Enjoy the speed of foot pedal or the precision of hand operated control.



RoboRoller®

This manual bead depressor keeps the tire bead in the drop center and prevents the tire from rolling back over the mount tool. Without it, the tire bead can roll over the mount tool and prevent the tire from being mounted.

Power Is Important Your options: 110V, 220V 2 Speed, or air

We know how important power is when mounting and dismounting tough tires because higher power means faster cycle time. You can pick a machine that matches your operational needs and shop setup.



Smart Chassis Construction

Changes tires faster with out the need to pre-position the table top out of the way to loosen beads on large diameter assemblies and up to 16" tire widths.



GripMax 30" Extended Clamps

Included with Maxx 90. Clamp passenger car, light truck or extreme custom applications without changing anything for maximum time savings and damage avoidance.



Dual Nozzle Bead Sealer

Two powerful jets concentrate air flow to quickly seat stiff beads-- a reliable bead sealing design with fewer moving parts and hoses and thus, less maintenance.



Factory Installed Wheel Lifts`

Lift large assemblies safely. Lifts up to 150 lbs and up to tabletop height of 29."Factory installed wheel lift models available.

MAXX 90 SPECIFICATIONS

Wheel Handled	Alloy, Steel for Car & Light/Medium Truck
Rim Diameter	6-30"
Maximum Tire Diameter	50"
Maximum Rim Width	16"
Bead Loosening Width	Up to 22" Wide
Wheel Clamping System	4 Clamps, Air Cylinder Operated
Bead Seating Air Volume	5.4 Gallons in Tower
Air Drive System	Up to 4 HP*
Electric Drive System	220V 2 Speed Electric Motor
220V Electric Requirements	220V, 10amps, 1PH, NEMA L6-20
Footprint	74"w x 86"h x 44"d
Ship Weight	874 lbs. Low center of gravity for stability
Warranty	3 Year Parts, 6 Months Labor
Part Numbers	Elec, 220V 2 spd: 800MAXX90220 Air: 800MAXX90A
	Elec. 220V, 2 Spd w/Lift: 800MAXX90220L Air w/Lift: 800MAXX90AL

*Max air motor HP dependent on shop air pressure

INCLUDED ACCESSORIES

Part Number	Description
8183606	Bead Loosener Shoe Socks - 2
85009048	Paste Lube Bracket & Brush
8184432	High Spoke Duckhead® Mount/Demount Tool
8182788	Steel Duckhead® Mount/Demount Tool
85607986	GripMax 30" Extended Clamps - 4
85612106	GripMax 2.0 Clamps - 4
8184126EX	Steel Clamps
85000783	Lift Tool Socks - 10
85610105	Premium Storage Cabinet

RECOMMENDED OPTIONAL ACCESSORIES



AUXILIARY BEAD SEALER (ABS)
(PN 85606545)



SEE THE MAXX
MASTERCLASS



SEE THE MAXX 80
IN ACTION

Best Seller

Maxx 80



The Maxx 80 is our most popular tire changer for high volume tire dealers and repair shops. It offers the most power, the most vital tools, and the best helper systems for the greatest value.

» Our helper systems are designed for productivity, minimizing the need for a second tech to do difficult tire changes. They are an extra pair of hands that provides additional power and pressure, so tire beads stay positioned when mounting tires.

6"- 24" external clamping (up to 30" wheel service with optional extended clamps)



Robo-Arm®

This articulating assist pushes the tire bead in the drop center when mounting to create a bead lock, and helps with difficult low profile and run-flat tires. Additionally, it can lift heavy tires and help techs avoid back injury when dismantling bottom beads.



RoboRoller®

This manual bead depressor keeps the tire bead in the drop center and prevents the tire from rolling back over the mount tool. Without it, the tire bead can roll over the mount tool and prevent the tire from being mounted.



Hand or Foot Bead Loosener

Your techs can choose their preferred bead loosening method. Enjoy the speed of foot pedal or the precision of hand operated control.



Grip Max 2.0 Clamps

Plastic protectors built into clamps eliminate metal-on-metal contact with wheel, maximizing grip and minimizing risk of rim damage with clamp inserts

Power Is Important Your options: 110V, 220V, 220V 2 Speed, or air

We know how important power is when mounting and dismantling tough tires because higher power means faster cycle time. The Maxx 80 has the broadest range of power options, so you can pick a machine that matches your operational needs and shop setup.



Smart Chassis Construction

Changes tires faster with out the need to pre-position the table top out of the way to loosen beads on large diameter assemblies and up to 16" tire widths.



Polymer Duckhead®

Included with every Maxx 80 to mount and demount tires without damaging the rim.



Dual Nozzle Bead Sealer

Two powerful jets concentrate air flow to quickly seat stiff beads-- a reliable bead sealing design with fewer moving parts and hoses and thus, less maintenance.



Factory Installed Wheel Lifts

Lift large assemblies safely. Lifts up to 150 lbs and up to tabletop height of 29." Factory installed wheel lift models available.

The Best Accessory Package

We include the accessories that are most used with tire changers including wheel protection items, storage, clamps, and starter tools, our improved Grip Max 2.0 clamps and multiple Duckhead® mount/demount tools.

MAXX 80 SPECIFICATIONS

Wheel Handled	Alloy, Steel for Car & Light/Medium Truck
Rim Diameter	6-24"
Maximum Tire Diameter	50"
Maximum Rim Width	16"
Bead Loosening Width	Up to 22" Wide
Wheel Clamping System	4 Clamps, Air Cylinder Operated
Bead Seating Air Volume	5.4 Gallons in Tower
Air Drive System	Up to 4 HP*
Electric Drive System	220V 2 HP Electric, 110V Electric Motor
220V Electric Requirements	220V, 10amps, 1PH, NEMA L6-20
Footprint	74" w x 86" h x 44" d
Ship Weight	850 lbs. Low center of gravity for stability
Warranty	3 Year Parts, 6 Months Labor
Part Numbers	Elec. 220V: 800MAXX80220 Elec. 220V, 2-speed: 800MAXX802SPD Elec. 110V: 800MAXX80 Air: 800MAXX80A



SEE THE MAXX MASTERCLASS

INCLUDED ACCESSORIES

Part Number	Description
8183606	Bead Loosener Shoe Socks - 2
85009048	Paste Lube Bracket & Brush
8183061	Polymer Duckhead
8184432	High Spoke Duckhead® Mount/Demount Tool
8182788	Steel Duckhead® Mount/Demount Tool
85612106	GripMax 2.0 Clamps - 4
8184126EX	Steel Clamps
85000783	Lift Tool Socks - 10
85610105	Premium Storage Cabinet

RECOMMENDED OPTIONAL ACCESSORIES



GRIPMAX 30" EXTENDED CLAMPS - 4
(PN 85607986)



AUXILIARY BEAD SEALER (ABS)
(PN 85606545)

*Max air motor HP dependent on shop air pressure



SEE THE MAXX 70
IN ACTION

Maxx 70



The Maxx 70 is for tire repair shops who need to have the ability to change virtually any tire, from run flats to low profile tires on cars and light trucks. It's the price of admission to the business for anyone with "tire" in their name.

» When you're ready, the Maxx 70 lets you seamlessly add helper systems for future capabilities without needing to buy a new machine, because you've got a high-capacity tire changer as your base.



Robo-Arm®

The Maxx 70 simplifies tough tasks with the first American built helper system- the Robo-Arm- designed to change run flats and low profile tires.

This articulating assist pushes the tire bead in the drop center when mounting to create a bead lock, and helps with difficult low profile and run-flat tires. Additionally, it can lift heavy tires and help techs avoid back injury when dismounting bottom beads.



Polymer Duckhead®

Included with every Maxx 70 to mount and demount tire without damaging the rim.



Steel Clamps

Clamp 6"-24" rim diameters with the included steel clamps.

Power Is Important Your options: 110V, 220V, 220V 2 Speed, or air

We know how important power is when mounting and dismounting tough tires because higher power means faster cycle time. You can pick a machine that matches your operational needs and shop setup.



Smart Chassis Construction

Changes tires faster with out the need to pre-position the table top out of the way to loosen beads on large diameter assemblies and up to 16" tire widths.



Factory Installed Wheel Lifts

Lift large assemblies safely. Lifts up to 150 lbs and up to tabletop height of 29."Factory installed wheel lift models available.



Dual Nozzle Bead Sealer

Two powerful jets concentrate air flow to quickly seat stiff beads-- a reliable bead sealing design with fewer moving parts and hoses and thus, less maintenance.

Engineered Tough

Tested up to 250,000 bead breaking cycles for ultimate durability in the harshest working environments.

MAXX 70 SPECIFICATIONS

Wheel Handled	Alloy, Steel for Car & Light/Medium Truck
Rim Diameter	6-24"
Maximum Tire Diameter	50"
Maximum Rim Width	16"
Bead Loosening Width	Up to 22" Wide
Wheel Clamping System	4 Clamps, Air Cylinder Operated
Bead Seating Air Volume	5.4 Gallons in Tower
Air Drive System	Up to 4 HP*
Electric Drive System	220V 2 HP Electric, 110V Electric Motor
220V Electric Requirements	220V, 10amps, 1PH, NEMA L6-20
Footprint	74"w x 86"h x 44"d
Ship Weight	805 lbs. Low center of gravity for stability
Warranty	3 Year Parts, 6 Months Labor
Part Numbers	Elec. 220V: 800MAXX70220 Elec. 220V, 2-speed: 800MAXX702SPD Elec. 110V: 800MAXX70 Air: 800MAXX70A Elec. 220V w/Lift: 800MAXX70220L Elec. 220V, 2-spd w/Lift: 800MAXX702SPDL Elec. 110V w/Lift: 800MAXX70L Air w/Lift: 800MAXX70AL

*Max air motor HP dependent on shop air pressure

INCLUDED ACCESSORIES

Part Number	Description
8183061	Polymer Duckhead
8182788	Steel Duckhead Mount/Demount Tool
8184926	Steel Clamps

RECOMMENDED OPTIONAL ACCESSORIES



GRIP-MAX 2.0® 24" CLAMPS
(PN 85612106)



GRIPMAX® 30" EXTENDED CLAMPS - 4
(PN 85607986)



FOOT OPERATED BEAD LOOSENER KIT
(PN 85611558-01)
CONTACT YOUR COATS SERVICE REP FOR PRICING AND INSTALLATION



ROBO-ROLLER® BEAD ROLLER ARM KIT
(PN 85611867-01)
CONTACT YOUR COATS SERVICE REP FOR PRICING AND INSTALLATION



SEE THE MAXX MASTERCLASS



Maxx 50

The Maxx 50 is our foundational tire changer for general repair shops, with the ability to add more if you want. We know shops still need to change tires the right way, without breaking the bank.

» The Maxx 50 leads the industry by clamping the largest diameter and widest rims of any foundational tier tire changer (6"-24" wide rims, tires up to 16" wide, and tires up to 50" in diameter).

Flexible Helper Systems

When you're ready, seamlessly add helper systems for future capabilities without needing to buy a new tire changer, because you've already got a high-capacity changer as your base.

Core Accessories

We provide basic accessories for your tire changer, with the ability to add more when you're ready.



Polymer Duckhead®

Included with every Maxx 50 to mount and demount tires without damaging the rim.



Steel Clamps

Clamp 6"-24" rim diameters with the included steel clamps.

Engineered Tough

Tested up to 250,000 bead breaking cycles for ultimate durability in the harshest working environments.



Smart Chassis Construction

Changes tires faster with out the need to pre-position the table top out of the way to loosen beads on large diameter assemblies and up to 16" tire widths.



Dual Nozzle Bead Sealer

Two powerful jets concentrate air flow to quickly seat stiff beads-- a reliable bead sealing design with fewer moving parts and hoses and thus, less maintenance.



Hand Controlled Bead Loosener

Loosen beads precisely with a hand controlled bead loosener.



Factory Installed Wheel Lifts

Lift large assemblies safely. Lifts up to 150 lbs and up to tabletop height of 29." Factory installed wheel lift models available.

MAXX 50 SPECIFICATIONS

Wheel Handled	Alloy, Steel for Car & Light Truck
Rim Diameter	6-24"
Maximum Tire Diameter	50"
Maximum Rim Width	16"
Bead Loosening Width	Up to 22" Wide
Wheel Clamping System	4 Clamps, Air Cylinder Operated
Bead Seating Air Volume	5.4 Gallons in Tower
Air Drive System	Up to 4 HP*
Electric Drive System	110V Electric Motor
Footprint	74" w x 81" h x 44" d
Ship Weight	750 lbs. Low center of gravity for stability
Warranty	3 Year Parts, 6 Months Labor
Part Numbers	Electric 110V: 800MAXX50 Air: 800MAXX50A

Elec 110V w/Lift: 800MAXX50L
Air w/Lift: 800MAXX50AL

*Max air motor HP dependent on shop air pressure

INCLUDED ACCESSORIES

Part Number	Description
8183061	Polymer Duckhead
8184926	Steel Clamps

RECOMMENDED OPTIONAL ACCESSORIES



GRIP-MAX 2.0® 24" CLAMPS
(PN 85612106)



GRIPMAX® 30" EXTENDED CLAMPS - 4
(PN 85607986)



FOOT OPERATED BEAD LOOSENER KIT
(PN 85611558-01)
CONTACT YOUR COATS SERVICE REP FOR PRICING AND INSTALLATION



ROBO-ROLLER® BEAD ROLLER ARM KIT
(PN 85611867-01)
CONTACT YOUR COATS SERVICE REP FOR PRICING AND INSTALLATION



ROBO-ARM® HELPER DEVICE KIT
(PN 85009937)
CONTACT YOUR COATS SERVICE REP FOR PRICING AND INSTALLATION



SEE THE MAXX MASTERCLASS



80C

Electric 220V
Air

80080CEH220
80080CAH3

90C

Electric 220V
Air

80090CEH220
80090CAH3

Center Clamp

- Bead Loosener — Hand Operated
- Max Tire Width — 50"
- Clamping Range — 10"-30"
- Parts Warranty — 3 Yrs
- RoboRoller
- Standard Auxiliary Bead Sealer



More About Center Clamps



Center Clamping

Designed for quick, easy operation while minimizing wheel damage and metal-to-metal contact.



Auxiliary Bead Sealer (80C, 90C)

Concentrates air flow to seal beads efficiently while giving the operator the flexibility to work anywhere on the assembly.



Robo-Arm® (80C, 90C)

This articulating assist pushes the tire bead in the drop center when mounting to create a bead lock, and helps with difficult low profile and run-flat tires. Additionally, it can lift heavy tires and help techs avoid back injury when dismounting bottom beads.



RoboRoller® (80C, 90C)

This manual bead depressor keeps the tire bead in the drop center and prevents the tire from rolling back over the mount tool. Without it, the tire bead can roll over the mount tool and prevent the tire from being mounted.



Leverless Duckhead Mount/ Demount Tool (90C)

A helper bead lifter that gets under the tire bead and lifts it without needing to use a tire bar, which may damage the wheel service. Changing tires becomes easier and faster with less risk for rim damage.

90C Center Clamp Tire Changer

90C SPECIFICATIONS

Wheels Handled	Alloy and Steel for Car and Light Truck
Rim Diameter	12" - 30" External
Max Tire Diameter	50"
Max Rim Width	15"
Bead Loosening System	Hand Control - Power In/Out and Freeze, Up to 14" Wide
Wheel Clamping System	Center Clamp with Manual Lock
Mount/Demount Mechanism	Swings Away for Better Access and Durability
Helper Systems	Robo-Arm® (18" of Automated Vertical Stroke) and RoboRoller®, Leverless Duckhead® Mount/Demount Tool
Bead Seating Air Volume	5.4 Gallons in Tower
Inflation Gauge	0 - 60 psi
Air Supply Gauge	0 - 300 psi
Air Drive System	1.5 HP Air Motor, 110 - 175 psi, 15 scfm (Air Model Only)
Electric Drive System	2 HP Electric Motor, 220V, 60 Hz, 14amp (Electric Models Only)
Footprint	74" w x 88" h x 65" d
Ship Weight	700 lbs.
Warranty	3 Year Parts, 6 Months Labor
Part Numbers	Air Model: 80090CAH3 Electric Model 2 HP: 80090CEH20

90C INCLUDED ACCESSORIES

Part Number	Description
85606545	Auxiliary Bead Seater (ABS)
8183606	Bead Loosener Shoe Socks - 2
85009048	Paste Lube Bracket & Brush
83019057	Protection Cone for Center Lock - 2
89233409	Leverless Duckhead® mount/demount tool plastic inserts
8183710	Paste Lube
plastic inserts	Anti-Rotation Extension Pin
83032475	Light Truck Cone Kit - 5.86" Center Bore
89231517	Rubber Protection Pad - 2
85610105	Premium Storage Cabinet



REVERSE MOUNT ADAPTER (PN 85612559) INCLUDED WITH PURCHASE

90C RECOMMENDED OPTIONAL ACCESSORIES



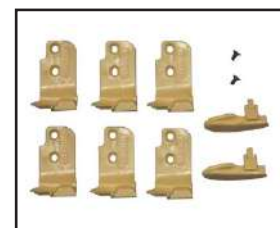
EL-X EXPRESS LANE® INFLATION SYSTEM (PN 85607770)



MANUAL DROP CENTER TOOL (PN 8435685)



POINT-OF-USE LIFT SYSTEM (PN 85608609)



LEVERLESS DUCKHEAD® MOUNT/DEMOUNT TOOL PLASTIC INSERTS (89233409)

80C Center Clamp Tire Changer

80C SPECIFICATIONS

Wheel Handled	Alloy and Steel for Car and Light Truck
Rim Diameter	12" - 30" External
Maximum Tire Diameter	50"
Maximum Rim Width	15"
Bead Loosening System	Hand Control, Up to 14" Wide
Wheel Clamping System	Center Clamp with Manual Lock
Mount/Demount Mechanism	Swings Away for Better Access and Durability
Helper Devices	Robo-Arm® (18" of Automated Vertical Stroke) and RoboRoller®
Bead Seating Air Volume	5.4 Gallons in Tower
Inflation Gauge	0 - 60 psi
Air Supply Gauge	0 - 300 psi
Air Drive System	1.5 HP Air Motor, 110 - 175 psi, 15 scfm (Air Model Only)
Electric Drive System	2 HP Electric Motor, 220V, 60 Hz, 14amp (Electric Models Only)
Footprint	74"w x 88"h x 65"d
Ship Weight	700 lbs.
Warranty	3 Year Parts, 6 Months Labor
Part Number	Air Model: 80080CAH3 Electric Model 2 HP: 80080CEH20

80C INCLUDED ACCESSORIES

Part Number	Description
85606545	Auxiliary Bead Seater (ABS)
8183606	Bead Loosener Shoe Socks - 2
85009048	Paste Lube Bracket & Brush
83019057	Protection Cone for Center Lock - 2
8184432	Plastic Grey High-Spoke Duckhead® Mount/Demount Tool
8182961	Duckhead® Mount/Demount Tool Inserts - 2
85000783	Lift Tool Socks - 10
83031335	Anti-Rotation Extension Pin
83032475	Light Truck Cone Kit - 5.86" Center Bore
89231517	Rubber Protection Pad - 2
85610105	Premium Storage Cabinet



REVERSE MOUNT ADAPTER (PN 85612559) INCLUDED WITH PURCHASE

80C RECOMMENDED OPTIONAL ACCESSORIES



EL-X EXPRESS LANE® INFLATION SYSTEM (PN 85607770)



GRAY HIGH-SPOKE DUCKHEAD® MOUNT/DEMOUNT TOOL - 25 PACK (PN 85000372)



POINT-OF-USE LIFT SYSTEM (PN 85608609)



MANUAL DROP CENTER TOOL (PN 8435685)



RC Series

RC Tire Changers have small footprints (35" x 44") that are perfect for independent repair shops with limited space.

- Bead Loosener — Foot Operated
- Max Tire Width — 10.5"
- Clamping Range — 6"-24"
- Parts Warranty — 1 Yr
- Steel Clamps
- Steel Duckhead

RC 45

Classic rim clamp with basic tabletop inflation.

Electric 110V	8560994901
Air	85609949

RC 55

RC Robo-Arm® Helper Device helps press the bead and comes standard.

Electric 110V	8560995001
Air	85609950



More About RC



Built in Bead Sealing Jets (RC 45, RC 55)

Quickly seals beads while tabletop inflation provides a faster workflow.



Robo-Arm® (RC 55)

This articulating assist pushes the tire bead in the drop center when mounting to create a bead lock, and helps with difficult low profile and run-flat tires.

RC 55 Rim Clamp Tire Changer

RC 55 SPECIFICATIONS

Wheel Handled	Alloy and Steel for Car and Light Truck
Rim Diameter	6" - 24" External
Maximum Tire Diameter	50"
Maximum Rim Width	10.5"
Bead Loosening System	Foot Control, Up to 10.5" Wide
Wheel Clamping System	4 Clamps, Air Cylinder Operated
Mount/Demount Mechanism	Swings Away for Better Access and Durability
Bead Seating Air Volume	3.4 Gallons in Tower
Inflation Gauge	0 - 60 psi
Air Supply Gauge	0- 300 psi
Air Drive System	1.5 HP Air Motor, 110 - 175 psi, 15 scfm (air model only)
Electric Drive System	1 HP Electric Motor, 115 V, 60 Hz, 15amp (elec model only)
Footprint	35" w x 44" d x 70" h
Ship Weight	620 lbs.
Warranty	1 Year Parts, 6 Months Labor
Part Number	Air Model: 85609950 Electric Model: 8560995001

RC 55 INCLUDED ACCESSORIES

Part Number	Description
8182961	Duckhead® Mount/Demount Tool Inserts - 2

OPTIONAL ACCESSORIES

Part Number	Description
8182961	Duckhead® Mount/Demount Tool Inserts - 2
8183606	Bead Loosener Shoe Socks - 2
85009048	Paste Lube Bracket & Brush
8183710	Paste Lube
85607787	Grip-Max® Plus Clamps - 4
8560716108	Grip-Max® Plus Grips - 8
8184432	Grey High Spoke Duckhead® Mount/Demount Tool
85608959	Hybrid Duckhead® Mount/Demount Tool
85000783	Lift Tool Socks - 10
85610105	Premium Storage Cabinet
8183061	Plastic Duckhead® Mount/Demount Tool
85609077	Manual Bead Depressor Kit
8183604	Steel Clamp Booties

MORE RC 55 RECOMMENDED OPTIONAL ACCESSORIES



**EL-X EXPRESS LANE®
INFLATION SYSTEM**
(PN 85607770)



AUXILIARY BEAD SEALER (ABS)
(PN 85606545)



POINT-OF-USE LIFT SYSTEM
(PN 85608609)

RC 45 Rim Clamp Tire Changer

RC 45 SPECIFICATIONS

Wheel Handled	Alloy and Steel for Car and Light Truck
Rim Diameter	6" - 24" External
Maximum Tire Diameter	50"
Maximum Rim Width	10.5"
Bead Loosening System	Foot Control, Up to 10.5" Wide
Wheel Clamping System	4 Clamps, Air Cylinder Operated
Mount/Demount Mechanism	Swings Away for Better Access and Durability
Bead Seating Air Volume	3.4 Gallons in Tower
Inflation Gauge	0 - 60 psi
Air Supply Gauge	0- 300 psi
Air Drive System	1.5 HP Air Motor, 110 - 175 psi, 15 scfm (air model only)
Electric Drive System	1 HP Electric Motor, 115 V, 60 Hz, 15amp (elec model only)
Footprint	35" w x 44" d x 70" h
Ship Weight	600 lbs.
Warranty	1 Year Parts, 6 Months Labor
Part Number	Air Model: 85609949 Electric Model: 8560994901

RC 45 INCLUDED ACCESSORIES

Part Number	Description
8182961	Duckhead® Mount/Demount Tool Inserts - 2

OPTIONAL ACCESSORIES

Part Number	Description
8182961	Duckhead® Mount/Demount Tool Inserts - 2
8183606	Bead Loosener Shoe Socks - 2
85009048	Paste Lube Bracket & Brush
8183710	Paste Lube
85607787	Grip-Max® Plus Clamps - 4
8560716108	Grip-Max® Plus Grips - 8
8184432	Grey High Spoke Duckhead® Mount/Demount Tool
85608959	Hybrid Duckhead® Mount/Demount Tool
85000783	Lift Tool Socks - 10
85610105	Premium Storage Cabinet
8183061	Plastic Duckhead® Mount/Demount Tool
85609077	Manual Bead Depressor Kit
8183604	Steel Clamp Booties

MORE RC 45 RECOMMENDED OPTIONAL ACCESSORIES



**EL-X EXPRESS LANE®
INFLATION SYSTEM**
(PN 85607770)



AUXILIARY BEAD SEALER (ABS)
(PN 85606545)



POINT-OF-USE LIFT SYSTEM
(PN 85608609)

Tilt Back Tire Changers



More About Tilt Backs

Coats Tilt Back tire changers are capable of changing a wide variety of rims, including low profile, steel, alloy, and high performance wheels.



APX 90

Clamp wheels up to 30" without special adapters. An integrated wheel lift reduces damage risk and keeps technicians safe. Dismount the bottom bead on tough assemblies with the lower roller. Leverless option available!

Rim Dia. 9"-30" External
 Max Tire Dia. 44"
 Max Tire Width 16"

Included Features

Robo-Arm®
 RoboRoller®
 Horizontal Power Rollers
 Duckhead Roller
 Integrated Wheel Lift

Air 850002221
 Elec. 85000222



APS 3000

The APS 3000 handles low profile and run flat tires easily with its Robo-Arm®. The patented Smart Lock System clamps the wheel in the center and minimizes the risk of rim damage.

Rim Dia. 12"-34"
 Max Tire Dia. 47"
 Max Tire Width 16"

Included Features

Robo-Arm®
 Dynamic Bead Loosener Discs
 Smart Lock System
 Leverless Duckhead Bead Lifter

800APS3000



9028E

This extended capacity, tilt back tire changer gives your shop the powerful capabilities it needs to take on the toughest tire service challenges with minimal effort.

Rim Dia. 10"-28" External
 Max Tire Dia. 47"
 Max Tire Width 14"

Included Features

Foot Control Bead Loosening System
 Lower Bead Lifting Roller Discs
 Upper Bead Roller
 Bead Pressing Arm

8009028

Tilt Back Tire Changers Specifications

	APX 90	APS 3000	9028E
Clamping Range/Rim Diameter	9"-30" external	12" - 34"	10"-28" external
Max Tire Diameter	44"	47"	47"
Max Rim Width	16"	16"	14"
Operating Pressure	---	115 - 145 psi	---
Bead Loosening System	hand actuated	Roller Disc	Foot controlled, up to 14" wide
Wheel Clamping System Manual	4 clamps, air cylinder operated	Manual, Center Lock	4 cylinder geared actuation
Bead Seating Air Volume	5.7 gallons in tower	On Machine	vertical 5.3 gallons in tower
Inflation Gauge	0-60psi	0-60psi	0-60psi
Air Supply Gauge	0-300psi	Standard	0-230psi
Power Supply	2 HP High Torque, 110v Single Phase, 25 amp	230V, 50/60 Hz, 1 ph, 20A	125V, 60 Hz, 30 amp, NEMA L5-30P
Footprint	53"w x 68"d x 88"h	90"h x 77"w x 75"d	79"w x 76"d x 86"h
Ship Weight	1,510 lbs	940 lbs.	988 lbs
Warranty	3 years parts, 6 months labor	1 Year Parts, 6 Months labor	1 year parts, 6 months labor
Part Number	Air: 850002221 Elec: 85000222	800APS3000	8009028

APX90 Accessories

- 8000491 Applicator Lube
- 8106259 Bottle Lube
- 8183710 Paste Lube
- 85009048 Paste Lube Bracket & Brush
- 8181354 Tool Lift
- 85000783 Lift Tool Socks - 10
- 8183606 Bead Loosener Shoe Socks - 2
- 8185770 Duckhead® Roller
- 85000269 Duckhead® Mount/Demount Tool, Nylon, 2/PKG
- 85607787 Grip-Max® Plus Clamps - 4

APS 3000 Accessories

- 89231517 Table Top Pad (2)
- 82041474 Adjustment Knob for Smart Lock
- 83040730 Plastic Cone (70mm)
- 83019057 Plastic Protectors for Smart Lock Centering Cone (2)
- 83032133 Pin Extensions (Med 33mm)
- 83031335 Pin Extensions (Large 72mm) (2)
- 89231518 Positioning Pin Bootie
- 89237711 Manual Bead Depressor
- 89231515 Plastic Protectors for Mount/Demount Tool (3)
- 8183710 Paste Lube Bucket
- 85000850 Paste Lube Brush
- 83032475 Light Truck Cone 5.86" center bore
- 89242832 Reverse Mount Adaptor

9028E Accessories

- 85000850 Paste Lube Brush
- 8183710 Paste Lube Bucket
- 89219196 Bead Shovel Plastic Protectors
- 89209612 Clamp Plastic Protectors (6)
- 89219195 Bead Lever Plastic Protectors (2)
- 89210961 Plastic Mounting Tool Kit
- 89209611 Plastic Protectors for Mount/Demount Tool (6)
- 89236146 Duckhead® Plastic Protectors
- 83006970 Bead Lifting Lever
- 8185590 Clamp Extensions (4)

CHD Series



Heavy Duty Tire Changers



Rim Diameter 13"-27"
Max Tire Width 30.5"
Max Tire Dia. 63"

1ph 80063301PH
3ph 80063303PH



Rim Diameter 14"-56" (w/extension)
Max Tire Width 42"
Max Tire Dia. 90.5"

8009041



Rim Diameter 14"-56" (w/extension)
Max Tire Width 51"
Max Tire Dia. 95"

8009551

CHD 6330

Best Seller

The most compact jaw-style clamping machine works for high volume shops with a wide range of applications like off-road, standard and reverse disc, and demountable wheels. Perfect for servicing tubeless truck and trailer tires and small industrial assemblies like Skid Steers.

- Four-jaw chuck allows fast and easy clamping of virtually all rim styles and floating jaws match wheel contours for excellent grip and safety.
- Solid, single-piece frame for added capacity and reliability.
- Portable wired control unit lets you work from the best angle at all times.

CHD 9041

A great solution for fleets or multiplicities where fitments vary widely, including agricultural applications.

- Extended capacity four-jaw chuck, which allows for use on a massive range of applications.
- Open frame design for easy wheel movement.

CHD 9551

Our top-of-the-line changer is designed for high-volume shops. The CHD-9551 makes it easy to handle the toughest super-single, skidder, agricultural, and off-road tires on the market.

- Offers the most automated features and widest range of fittings in the CHD line.
- Remote control rotating tool head/arm for the fastest, easiest tool changes in the business.
- Optional wireless remote (#89238598) gives you freedom to move around the machine without cumbersome cables.

CHD Series Specifications

	CHD-6330	CHD-9041	CHD-9551
Part Number	#80063301PH (1ph), #8006330 (3ph)	#8009041	#8009551
Max. Tire Diameter	63" (1600mm)	90.5" (2300mm)	95" (2400mm)
Max. Tire Width	30.5" (780mm)	42" (780mm)	51" (1300mm)
Rim Diameter Range	13"-27"	14"-46"	14"-46"
Electric Specifications	220VAC 3ph 15Amp, 220V 1ph 30Amp	208-230VAC, 3ph, 60Hz, 15Amp	208-230VAC, 3ph, 60Hz, 22Amp
Hydraulic Motor Power	2.0 HP (1.5kW)	2.0 HP (1.5kW)	2.9 HP (2.2kW)
Chuck Rotation Motor Power	1.5-2 HP (1.1-1.5 kW)	1.7-2.4 HP (1.3-1.8 kW)	3.2-4.4 HP (2.4-3.3 kW)
Chuck Rotation Speed	8 (1ph) -16 (3ph) rpm	5-11 rpm	5-11 rpm
Max. Wheel Weight	3300 lbs (1500kg)	3300 lbs (1500kg)	3970 lbs (1800kg)
Max. Overall Dimensions	69"(w) x 68.5"(d) x 50"(h)	88"(w) x 79"(d) x 59"(h)	112"(w) x 81"(d) x 75"(h)
Weight with Standard Accessories	1245 lbs (565 kg)	1698 lbs (770 kg)	2282 lbs (1035 kg)

Accessories

Accessory	Part Number	CHD-6330	CHD-9041	CHD-9551
Small Double Tool	89209552	Standard	Not Applicable	Not Applicable
Alloy Tubeless Roller	89233371	Not Applicable	Not Applicable	Optional
Tubeless Roller	89218165	Optional	Optional	Not Applicable
Set of 4 clamping extensions 47" - 56"	89235049	Not Applicable	Optional	Optional
Wireless Remote	89238598	Not Applicable	Not Applicable	Optional

MORE OPTIONAL ACCESSORIES



G-Clamp (Alloy Wheels)
89299271



Clamp Extensions
89235049



Clamping Protector for Alloy Wheels (Set of 4)
89234826

Bead Lifting Guide Bar (Agricultural Tires)
89299269

Skidder Clamp
89236972

Lock Ring Holder (Multi-piece wheels)
7109343

HIT Series



More About HIT



HIT 5000 HIT 9000

Accommodates tube or tubeless tires with rim diameters from 15"-38" (5000) and 15"-44" (9000). Comes with self-centering hydraulic clamping chuck, supported by dual tapered roller bearings, and a dual direction hydraulic motor to provide smooth torque. A convenient swing arm houses all hydraulic controls.

HIT 5000	8090000
HIT 9000	8092002



HIT 6000

Fast and easy to use, the HIT 6000 services tubeless truck tires in minutes with the use of adapters! Handle wheel widths 6"-15" and rim diameters of 16.5"-24.5". Change all 15-degree single piece highway rims, including Dayton wheels, with one control stick and two-way pedals for bead loosening, mounting and demounting.

HIT 6000	8091000
----------	---------

Included Accessories Chart

	HIT 6000	HIT 5000	HIT 9000
Five Foot Pry Bar	✓		
Lube Bucket			
Lube Applicator			
Earth Mover Bead Loosener Roller Shaft		✓	✓
Tubeless Tire Iron			
Lock Ring Iron			
Drop Center Iron			
Bead Starting Tool			
Vise Grip			
Stuf Piloted Budd Wheel Plate			
Extension Clamps, add 6" dia.			
Portable Ramp			
Tractor Tire Combo Tee			

HIT Series Specifications

	HIT 6000	HIT 5000	HIT 9000
Part Number	8091000	8090000	8092002
Wheel Handled	Stud, Hub Piloted Dayton Tubeless	Stud, Hub Piloted Dayton, Tube & Tubeless	
Mount Demount	Center Post	Independent Hook & Roller	
Tool Head Offset	Independent removable, mount in table	Independent removable mount in table	
Wheel Clamping Method	Center Mount	3 Jaw Chuck	
Wheel Lift	Tilt Back	Clamp Arm Lifting	
Frame Structure	Tilt Table	Center Carriage	
Max. Tire Diameter	44"	76"	
Max. Tire Width	16"	25"+	
Rim Diameter Range	16.5" - 24.5"	15" - 38"	15" - 44"
Electric Specifications	220v / 1ph or 220v / 3ph, 60hz	220v / 1ph or 220v / 3ph, 60hz	
Air Required	Yes	No	
Max. Chuck Torque	2,900 ft/lbs	2,900 ft/lbs	4,400 ft/lbs
Max. Overall Dimension	78"(w) x 48"(d)	96"(w) x 108"(d) x 66"(h)	
Weight with Standard Accessories (shipping)	1,150 lbs	1,400 lbs	1,600 lbs

OPTIONAL ACCESSORIES



**Bolt Circle Adapter for
Hub Piloted Wheels**
8183803



Offset Disc and Holder Tool
7110852



**Jaw Extension for
HIT5000 and HIT9000**
7110843

MAXX Wheel Lift



The Coats Maxx Wheel Lift simplifies handling heavy assemblies, lifting up to 150 lbs to a 29" tabletop height effortlessly using a foot pedal at 150 PSI.

	220V	220V 2SPD	110V	Air
Maxx 80 & 90	8090LFT220	8090LFT2SPD	8090LFT110	8090LFTAIR
Maxx 50 & 70	5070LFT220	N/A	5070LFT110	5070LFTAIR



Robo Helper Arm Kit (85009937)

Add a Robo Arm, which is used to push the tire bead into the drop center of the rim.



Nylon Duckhead® Tool (8183061)

Designed for added rim protection and replaces the steel Duckhead® mount/demount tool and fits RC-45, RC-55, X-Series®, Maxx Series and GTS Series.



High-Spoke Plastic Duckhead® Tool (8184432)

The Plastic Gray High-Spoke Duckhead® mount/demount tool is designed for high-spoke wheels, lifting the bead above the spokes and is compatible with all X-Series, Maxx Series and RC Series tire changers.



Euro Style Nylon Duckhead® Tool Kit (85607467)

Allows for the use of the low profile head on Maxx and X-Series Changers. For replacement of just the duckhead without the adaptor use part #: (830084031)



Steel Duckhead® Tool (81827881)

The plastic floating tail conforms to the rim to mirror its radius. This places the tire in the optimal position for installation. *Replacement plastic inserts (182961)



Motorcycle Duckhead® Tool (8183355)

This Duckhead Mount/Demount Tool is designed for use on motorcycle applications. *Replacement plastic inserts (8183373)



Grip Max 2.0 Clamps

(85612106)

One-piece, dual compound design with increased surface area for maximum grip. Updated jaw profile improves ease of use for outside clamping. Three position adjustment capability covers a wide range of wheel diameters. Fits X and Maxx Series tire changers. *Grip Max 2.0 Rebuild Kit (85611034).



Grip Max Extended 30" Clamps

(85607986)

Provide an external clamping range of 16" up to 30". Fits X and Maxx Series Tire Changers.



Steel 3-Position Clamps

(8184926)

Provide an external clamping range of 6" up to 24". Fits all X, Maxx, RC and GTS Series Tire Changers.



RC200 Style Motorcycle Clamps (4)

(81845744)

Made for X-Series and MAXX Tire Changers (Clamps Insert Qty 1: 8183248)



Auxiliary Bead System (ABS)

(85606545)

Taps directly into the tire changer's surge tank and assists in seating virtually any tire assembly.



Quilted Clamp Socks (10)

(8183604)

Made for steel clamps only.

Maxx Air is the Heartbeat of Every High Performing Shop



Maxx Air

Maxx Air is Coats' portfolio of energy efficient compressors and services for automotive aftermarket repair facilities. Our full-line of vertical, horizontal, and duplex compressors focuses where other providers don't—on the unique needs of vehicle repair operations.



Backed by the Coats Service Network you know and trust.



Standard

Designed and built in the USA, Maxx Air Standard is the entry point in the lineup. Like all Maxx compressors, Standard includes our low RPM pumps that provide exceptional service and longevity, with motors built for a service life of over 20,000 hours.

Advanced

Your techs are focused on revenue-producing activities, so it's easy for critical compressor maintenance tasks to get overlooked. Maxx Air Advanced incorporates around the clock automated maintenance and fail-safes that add an extra layer of protection to your compressor, keeping you up and running with less oversight and unplanned downtime.

Complete

Maxx Air Complete delivers total performance—delivering cooler, drier air that protects your compressor and every system in your shop that relies on it.

Maxx Air Compressors are designed for easy maintenance and servicability.

Planned Maintenance. Zero Surprises.

2 Year Agreement

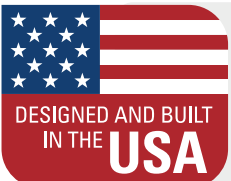
5 Year Agreement

Preventive maintenance at six-month intervals keeps your compressor operating at peak condition and protects against unplanned downtime. Plus, when you add a Coats preventive maintenance agreement to your Advanced or Complete Maxx Air compressor, your warranty is **doubled** from 1 year to 2 years parts and labor.

All service is done by the Coats Connect Service Network – the same team that supports your other Coats technologies.

Preventative Maintenance Plans includes:

- ✓ Filter and Oil Changes
- ✓ Cleaning
- ✓ Valve and leak checks
- ✓ Infrared Scanning for hidden wear and damage
- ✓ 35+ points of inspection on motor, pump, and tank



20,000+ Hours
Motor Service Life

Serviceability

Maxx Air is supported by Coats Connect, the industry's only service network staffed coast to coast by our own factory-trained techs and product support pros backed by a central dispatch system that manages every service call, start to finish.

We offer unmatched OEM parts that are designed and manufactured to be dropped in or swapped out in less time with less complexity, meeting the exact specifications of Maxx Air Compressors to ensure integrity and accelerate the pace and quality of repairs.



Everything we do is delivered with the authentic Coats Attitude.

The Coats Attitude is a success maker -- grit and agility merges with creativity to solve your toughest air compressor operating challenges. We listen, we solve, and work until it's right.

Because we're more than a compressor provider. We're your uptime partner.



Part of the Maxx Series

Maxx Air pairs well with the Coats systems they're designed to power – Maxx tire changers and lifts. Your techs now have the compressors that help make tough tasks and manual processes faster and easier. Smart vehicle repair shops gain seamless integration with a single point of service, and standardize technology that keeps your shop in alignment.



Maxx Air keeps shops powered as promised.

Shop owners, managers, and techs agree -- compressors can't stand apart. As part of the Coats Maxx Series, your techs now have the compressors that help make tough tasks and manual processes faster and easier.

	Standard	Advanced*	Complete
Easy to Service	✓	✓	✓
Scheduled Service Agreement Add On	✗	✓	✓
Low RPM Pumps	✓ Reduced Heat Buildup	✓ Reduced Heat Buildup	✓ Reduced Heat Buildup
Cast Iron Construction Steel Rod & Bearings	✓ Structural Integrity	✓ Structural Integrity	✓ Structural Integrity
Intercooler and Aftercooler	✓ Heat & Moisture Protection	✓ Heat & Moisture Protection	✓ Heat & Moisture Protection
Automatic Tank Drain	✗	✓ Clears tank of moisture	✓ Clears tank of moisture
Anti-Vibration Pads	✗	✓ Less noise & mechanical stress	✓ Less noise & mechanical stress
Low Oil Monitor	✗	✓ Auto shut off when oil is low	✓ Auto shut off when oil is low
Beltguard Aftercooler	✗	✗	✓ Extra moisture control for longer equipment lifespan



*Coats Advanced Maxx Air Compressors has collection of "Quick Ship" models for when shops need high-performing, service backed compressors, fast. **See all quick ship models at Coatscompany.com or scan the QR code.**



Maxx Air Advanced

	5HP	7.5HP	7.5HP
Configuration	Vertical, 80 gal, 2 Stage	Vertical, 80 gal, 2 Stage	Vertical, 80 gal, 2 Stage
Shop	2-3 person auto shop or 1-2 person truck shop	3-4 person auto shop or 2-3 person truck shop	3-4 person auto shop or 2-3 person truck shop
Power	230V, 1 phase or 3 phase	230V, 1 phase or 3 phase	230V, 1 phase or 3 phase
CFM at 100 PSI	18 CFM	23 CFM	26 CFM
Max PSI	175 PSI	175 PSI	175 PSI
Lubrication Method	Splash	Splash	Splash
Pump	Cast iron, 2 cylinder	Cast iron, 2 cylinder	Cast iron, 4 cylinder
Dimensions	41"x24"x73"	41"x24"x73"	41"x24"x73"
Warranty	1 year parts and labor (2 yrs with service plan)	1 year parts and labor (2 yrs with service plan)	1 year parts and labor (2 yrs with service plan)
Models	C5-2180VP, C5-2380VP	C7-2180VP, C7-2380VP	C7-2180V2P, C7-2380V2P

	10HP	13HP
Configuration	Horizontal, 120 gal, 2 Stage	Horizontal, 30 gal
Shop	4-6 person auto shop or 3-4 person truck shop	3-4 person auto shop or 2-3 person truck shop
Power	230V, 3 phase	13 HP Honda Engine
CFM at 100 PSI	35 CFM	25 CFM
Max PSI	175 PSI	175 PSI
Lubrication Method	Splash	Splash
Pump	Cast iron, 4 cylinder	Cast iron
Dimensions	68"x27"x50"	20"x44"x42"
Warranty	1 year parts and labor (2 yrs with service plan)	1 year parts and labor (2 yrs with service plan)
Models	C10-2312HP	C13-30GTH

Specifications are for Maxx Air Advanced compressors. Maxx Air Standard and Complete are special order. Reach out for full details and more configuration options.

Scan the QR code to reach our contact page or visit coatscompany.com/contact





Pro Series

ProBalance E900

A High Performing Diagnostic Wheel Balancer for High Volume Shops



Every tire dealer needs wheel balancers they can count on – for measuring and correcting imbalances and creating smooth rides in passenger cars and light trucks.



THE COATS PROBALANCE™ E900

Your Modern Workhorse

The Coats ProBalance™ E900 is a high performing direct drive wheel balancer with added ride quality diagnostics. It's up to 10x faster than non-direct drive balancers, and the only premium wheel balancer on the market today with a 10-year warranty on the motor. It's your modern workhorse.

Advanced Technology & Diagnostics

The technology built into the E900 is designed to let techs precisely balance wheels and test drive the wheel assembly on the balancer, assessing tire and wheel geometry to deliver a smoother ride and fewer customer returns for rework.



Direct Drive

Technology that delivers a superior balancing result, the first time, every time, without frequent calibrations required by other manufacturers' systems. The Direct Drive system integrates the wheel balancer motor and spindle into a single, factory pre-balanced assembly with ZERO noise and a 10 year direct drive motor warranty.

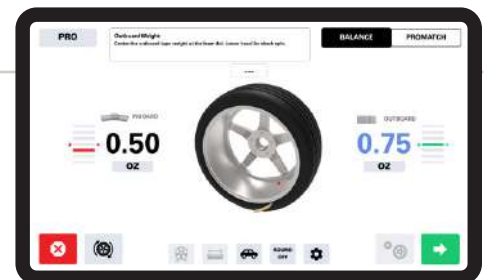


Diagnostic Roller & ProMatch

The E900 utilizes a diagnostic roller and ProMatch feature to measure radial runout and address wheel and tire shape and defect issues before weights are applied.

Smart Design, Ultimate Usability

The E900 touchscreen interface feels like you're using a smart phone. It streamlines data collection, reducing the amount of manual input required for intensive areas like wheel diameter and width.



Be a Pro with the right equipment that brings the right results.

Built for Absolute Precision

The E900 is part of the ProBalance portfolio which is our full range of wheel balancers for passenger vehicles and light trucks with validated claims for durability, serviceability, ease of use, and uptime – and it's the only one in the industry with a 10-year motor warranty. We were the first to innovate with direct drive technology.

Tested by

REAL SHOPS

Designed and built in the USA

Maximum Serviceability

The E900 is designed to be serviced by Coats Connect Service. Our service network is staffed coast to coast by our own factory-trained techs who are supported by central dispatch actively managing from call to completion. Plus, the E900 is equipped for digital connectivity and future, remote diagnostics and maintenance.

OEM PARTS

Available exclusively through Coats



Complete your shop

We know tire changers and wheel balancers are mission critical technologies in your shop. Pair the ProBalance E900 with the Maxx 90 -- it's our premium Maxx tire changer that tackles a wide array of wheel assemblies the same way, every time and makes the manual process of changing tires faster and easier for your techs.

A package engineered to keep work flowing.

Zero Guesswork.

Wheel balancing is done right the first time, every time with the proper equipment and techniques. Less time is spent training technicians and managing negative comebacks and more time is dedicated to turning more cars per day with profit driving technology.



The Coats Pro Series Portfolio

The Coats Pro Series, which are the measurement and diagnostic systems your shop needs to boost the ride quality and safety of your customers' vehicles. Our portfolio includes the wheel balancers, aligners, and vehicle inspection systems that identify and correct tough issues like imbalance, alignment, and tread depth.

For more information visit coatscompany.com

or call us at

800-688-6359



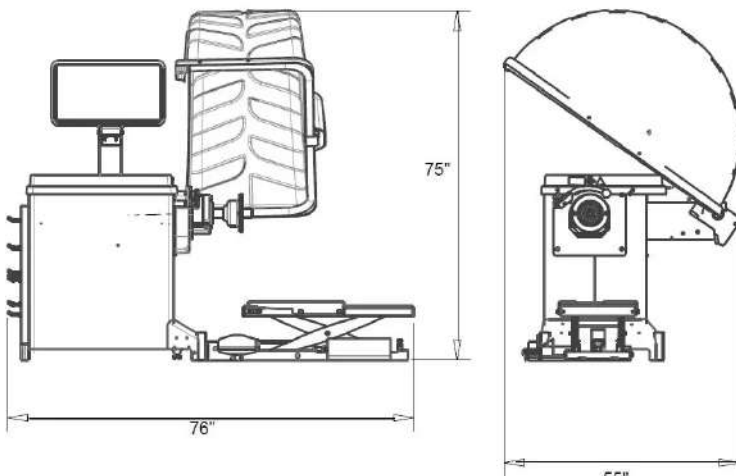
coats

ProBalance™ E900 Wheel Balancer

Specifications	
Balancing Modes	5
Wheel Diameter Range	8" - 30"
Wheel Width Range	2" - 20"
Maximum Tire Diameter	Up to 44"
Maximum Tire Weight	160 lbs.
Shaft Diameter	40 mm
Footprint without lift	57" w x 55" d x 75" h
Interface	Touchscreen
Automatic Data Entry	Offset/Diameter/Width
Electrical Requirements	220v, 1ph or 220v, 3ph
Warranty	3 Year Parts, 6 Months Labor, 10 Year Direct Drive Motor Warranty
Part Numbers	800PROE900 - 1ph 800PROE90001 - 3ph 8KE900PROKIT (kit includes Auto Down Wheel Lift and Adjustable Pin Plate Set)

Included Accessories	
85608850	Stud - Weight Tray (3)
85609499	Double Sided Collets (2.04"-5.20")
8309011	Calipers
85607780	Premium Wheel Weight Hammer
85610908	Premium Hub Nut
8112106	Small Pressure Cup & Rubber Lip
85608312	No Mar Ring
8112107	Spring
8113390	Scraper
85610715	Side Shadow Board

Optional Accessories	
8200000400	3-Piece Adjustable Pinplate Set for 40mm Shaft
8300000400	Light Truck Kit for 40mm Shaft
81141821	Ford ULA 3 Degree Cone
8113277C	Light Truck Cone Kit
85009945	Toyota Adapter Kit
8112421	Short Cone
85611072	Double Sided Mazda Collet
800525AUTO16	Auto Down Wheel Lift



Wheel Balancer Dimensions with wheel lift (Optional and must be purchased separately)



ProMatch Technology with Runout Diagnostics

ProMatch feature optimizes where the high spot of the tire and the low spot of the rim need to be marked, lined up, and mounted to minimize the vibrations caused by runout. With a diagnostic roller, the E900 measures radial runout and how “out-of-round” the wheel is. It addresses vibrations from wheel assembly shape and defect.



New Multi-Function Laser Module

The E900’s unique Multi-Function Laser Module takes distance and diameter measurements, indicates weight placement locations, and diagnoses rim defects that can impact ride quality. It’s one of the many ways we’ve made the E900 so fast and easy to use.



ProBalance Technology®

ProBalance Technology is a unique balancing algorithm and unbalance correction methodology that solves a leading cause of comebacks: residual unbalance. ProBalance Technology works discreetly in the background of every balancing cycle to eliminate these unbalances that can generate unwanted vibration.



Speed Thread Pedal

At the push of a foot pedal, techs no longer hand spin the hub nut to mount and demount the wheel from the balancer shaft, reducing the time needed to support heavy wheels and speeding up the entire balancing process



Stop, Lock, Index

The E900 balancer automatically servos and locks the spindle in place to the position that the weight need to be placed.



LED Barrel Lighting

5W LED lights up the barrel of the wheel when the hood is lifted, increasing visibility when applying weights.



Behind the Spoke Mode

Hide tape weights behind spokes for a better appearance on performance wheels.



Sonar Width Measure

Auto-measure width, leaving no room for data entry error, no mechanical maintenance, and faster cycle time.



Pro Series



SEE THE 1600 IN ACTION



1600

The Coats 1600 is a high performing direct drive wheel balancer for high volume shops. If you change over 500 tires a month, this wheel balancer is for you.

» ProBalance Technology®

The most precise wheel balancing solution on the market. It corrects both static and dynamic imbalance, provides a fast, single-step correction to fix residual static imbalance. The result? A smooth ride that eliminates up to **80% of customers comebacks** due to unwanted vibrations in their steering wheel when they drive caused by weight related imbalances.



Direct Drive Technology with a 10 Year Motor Warranty

A Direct Drive system integrates the robust wheel balancer motor and spindle into a single, factory pre-balanced assembly with ZERO noise to deliver a superior balancing result every time, **without the frequent calibrations** required by other manufacturers' systems.

Be a Pro with technology that keeps up with the shop you've built.

We've listened to techs and have automated some of the most manual jobs in the wheel balancing process to speed things up, from mounting the wheel onto the balancer to taking dimensions to placing weights in the correct location.



Speed Thread Pedal

With the push of a foot pedal, techs no longer need to hand-spin the hub nut to mount or remove the wheel from the balancer shaft. Reduces strain when handling heavy wheels and speeds up the entire balancing process



Laser Guided Operation

12 o'clock laser and 5 o'clock pin point laser visually show exactly where weight needs to be placed. Techs can accurately place weights without second guessing.



Stop, Lock, Index

The balancer automatically rotates to the correct weight placing position and locks the wheel in place.



Auto 3D Data Entry

Reduces manual dimension with automatic data entry for offset distance, diameter, and width. Wheel width is immediately measured as soon as you take the first measurement spin.



Touchscreen Interface

The simple to learn and use touchscreen interface guides technicians through the entire wheel balancing processes with clarity.

Behind the Spoke Mode

Balancing mode that lets you hide tape weights behind spokes for a better appearance on performance wheels.

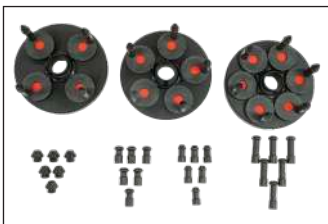
1600 SPECIFICATIONS *Class 2 laser product

Balancing Modes	8
Wheel Diameter Range	8-30"
Wheel Width Range	2" - 20"
Maximum Tire Diameter	Up to 44"
Maximum Tire Weight	160 lbs
Shaft Diameter	40 mm
Footprint	57" w x 55" d x 75" h
Interface	Touchscreen
Automatic data entry	offset distance, diameter, width
Electrical requirements	220V, 1PH, or 220V, 3Ph
Ship Weight	616 lbs
Warranty	3 years parts, 6 months labor
Part Number	80016003D (1ph) 80016003D01 (3ph)

1600 INCLUDED ACCESSORIES

Part Number	Description
85608850	Stud - Weight Tray
85609499	Double Sided Collets (2.04" -5.20")
8309011	Calipers
85607780	Premium Wheel Weight Hammer
85610908	Premium Hub Nut
8112106	Small Pressure Cup & Rubber Lip
85608312	No Mar Ring
8112107	Spring
8113390	Scraper
85610715	Side Shadow Board

OPTIONAL ACCESSORIES



Adjustable Pin Plate Set
(8200000400)



Light Truck Kit
(8300000400)



Double sided mazda collet
(85611072)



525 Wheel Lift
800525
800525AUTO16
(auto-retracting model)



Light Truck Cone Kit
(8113277C)



Toyota Adapter Kit
(85009945)



Short Cone
(8112421)



SEE THE 1500 IN ACTION



1500

The 1500 is a high performing direct drive wheel balancer that adds automation so you can balance almost any wheel assembly, quickly. It's the "goldilocks" choice of balancers for general repair shops who have a core competency in wheel balancing.

» With the industry's only 10 Year Direct Drive Motor Warranty

A Direct Drive system integrates the robust wheel balancer motor and spindle into a single, factory pre-balanced assembly with ZERO noise to deliver a superior balancing result every time, **without the frequent calibrations** required by other manufacturers' systems.



Durable where it counts, with automation where it matters.

We've added automation to help with important tasks in the balancing process related to accuracy. This is important because the most crucial steps needed to balance a wheel can be done quickly by your techs with fewer mistakes.



Laser Guided Operation

12 o'clock laser and 5 o'clock pin point laser visually show exactly where weight needs to be placed. Techs can accurately place weights without second guessing.



Stop, Lock, Index

The balancer automatically rotates to the correct weight placing position and locks the wheel in place.

Handle whatever rolls in, confidently.

The 1500 lets you do it all because it lets you balance with a variety of modes and features. We know correcting dynamic imbalances are important for balancing most wheels, but we also know you may work on wheels- like large truck or even mud tires- that could benefit from balancing methods that optimize the amount of wheel weights you use or remove static imbalances. This includes features like Static-on-Screen®, Patch Mode, and Match Mode.



Auto 3D Data Entry

Reduces manual dimension with automatic data entry for offset distance, diameter, and width. Wheel width is immediately measured as soon as you take the first measurement spin.

Static-on-Screen ®

We show both static and dynamic imbalance data. It's a quality check that shows if tech can take action to correct static imbalance that can cause unwanted vibrations.

Behind the Spoke Mode

Balancing mode that lets you hide tape weights behind spokes for a better appearance on performance wheels.

Patch Mode

A static mode solution for large truck wheels that require excessive tape weights (4–5 oz), which can be costly, unsightly, and fall off during off-roading. The 1500 tells you where to mark the wheel and tire so you can apply a vulcanized patch weight inside the tire. The patch is hidden, secure, and reduces overall tape weight use.

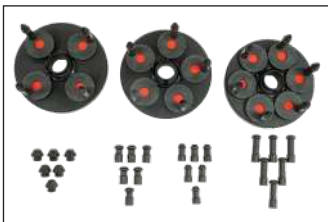
1500 SPECIFICATIONS *Class 2 laser product

Balancing Modes	8
Wheel Diameter Range	8-30"
Wheel Width Range	2" - 20"
Maximum Tire Diameter	Up to 44"
Maximum Tire Weight	160 lbs
Shaft Diameter	40 mm
Footprint	57" w x 55" d x 75" h
Interface	LED
Automatic data entry	offset distance, diameter, width
Electrical requirements	220V, 1PH, or 220V, 3Ph
Ship Weight	650 lbs
Warranty	3 years parts, 6 months labor
Part Number	80015003D (1ph) 80015003D01 (3ph)

1500 INCLUDED ACCESSORIES

Part Number	Description
85608850	Stud - Weight Tray
85609499	Double Sided Collets (2.04"-5.20")
8309011	Calipers
85607780	Premium Wheel Weight Hammer
85607503	Premium Quick Nut
8112106	Small Pressure Cup & Rubber Lip
85608312	No Mar Ring
8112107	Spring
8113390	Scraper
85610715	Side Shadow Board

OPTIONAL ACCESSORIES



ADjustable Pin Plate Set
(8200000400)



Light Truck Kit
(8300000400)



Premium Hub Nut
(85610908)



Ford ULA 3 degree cone
(81141821)



Light Truck Cone Kit
(8113277C)



Toyota ADAPTER Kit
(85009945)



Short Cone
(8112421)



525 Wheel Lift
800525
800525AUTO1415
(auto-retracting model)



SEE THE 1300 IN ACTION

1300



The 1300 is our simplest wheel balancer with Direct Drive technology for shops handling a lower volume of tire service and needing a staple, straightforward balancer that's built to last a long time.

» 10 Year Direct Drive Motor Warranty

A Direct Drive system integrates the robust wheel balancer motor and spindle into a single, factory pre-balanced assembly with ZERO noise to deliver a superior balancing result every time, **without the frequent calibrations** required by other manufacturers' systems.



Precise and reliable wheel balancing made simple

Wheel balancing is simple on the 1300. It provides essential functions for static and dynamic balancing without complex features through a tactile LED interface designed for usability. This includes Behind the Spoke mode, Static-on-Screen® and Match Mode.



Static-on-Screen®

Simultaneously displays both static and dynamic unbalance data.



2D Data Entry

Offers automatic data entry of the distance and diameter. This eliminates the chance of technician error and speeds up the balancing process.

Basic Accessories

The 1300 includes basic accessories that get you started on mounting and prepping a wheel for balancing. When you're ready, adding a suite of accessories enables you to service a wider variety of wheels, properly.

Behind the Spoke Mode

Balancing mode that lets you hide tape weights behind spokes for a better appearance on performance wheels.

Match Mode

Weight minimization mode that tells you where the wheel and tire need to be re-lined up or reindexed, so that the wheel assembly uses the least amount of weight to achieve a balanced wheel

1300 SPECIFICATIONS *Class 2 laser product

Balancing Modes	8
Wheel Diameter Range	8-30"
Wheel Width Range	2" - 20"
Maximum Tire Diameter	Up to 44"
Maximum Tire Weight	160 lbs
Shaft Diameter	40 mm
Footprint	60" w x 60" d x 78" h
Resolution (round off mode)	0.01 oz
Interface	LED
Automatic 2D data entry	offset distance, diameter
Electrical requirements	220V, 1PH, or 220V, 3Ph
Ship Weight	639 lbs
Warranty	3 years parts, 6 months labor
Part Number	80013002D (1ph) 80013002D01 (3ph)

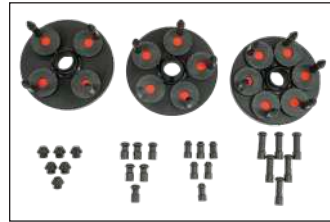
1300 INCLUDED ACCESSORIES

Part Number	Description
8112098	Small A Cone
8112099	Medium B Cone
8112100	Large C Cone
8112101	Light Truck Back Cone - D Cone
85607780	Premium Wheel Weight Hammer
8110542	Small Pressure Cup & Rubber Lip
8112107	Spring No Mar Ring
8309011	Calipers
8112103	Hub Nut
85608312	No Mar Ring

OPTIONAL ACCESSORIES



Double Sided Collets
(85609499)



Adjustable Pin Plate Set
(8200000400)



Light Truck Kit
(8300000400)



Premium Quick Nut
(85607503)



Light Truck Cone Kit
(8113277C)



Light Truck Back Cone Spacer
(8111935)



Short Cone
(8112421)



525 Wheel Lift
800525

6450 HD Direct Drive Balancer Kit



Pro Series



More About 6450

Designed for front line, high-volume balancing, the 6450 has a powerful 1.5 HP direct drive motor that shaves 20 seconds off a typical 22.5" spin.

The easy-to-read LED readouts, laser weight placement, and Stop & Lock spindle make correcting static and dynamic imbalances, simple.

Balancer Kit Includes

- ✓ 6450 3D Heavy Duty Wheel Balancer
- ✓ 575 Wheel Lift
- ✓ Heavy Duty Truck Kit for 50mm Shaft
- ✓ 500 lb. Met Lab and UL Approved!



6450-3D Kit, 1Ph 8K64501PHKIT
6450-3D Kit, 3Ph 8K64503PHKIT



(#8302010510)

Heavy Duty Truck Kit Included

This kit lets you confidently and accurately center large 6, 8, and 10 lug truck wheels, including hub and stud piloted wheels, so you get accurate balancing results the first time, every time.

Auto Data Entry

Auto Data Entry captures all three parameters. Auto indexing automatically moves the wheel to the correct weight positions.

Dual Calibration Software (DCS)

Exclusively on Coats 6450, DCS stores and runs two independent sets of calibrations. The machine changes round offs and adjusts balancing parameters based on the job at hand.

Wheel Lift & Tooling Included

575 Wheel Lift handles a wide array of heavy wheel assemblies up to 500 lbs because it's built on an ultra-wide, "fully-boxed" frame which provides superior stability.

6450 Specifications

6450 HD SPECIFICATIONS

Max. Tire Diameter	52"
Max. Tire Width	20"
Max. Tire Weight	500 lbs. (UL)
Stop On Top	Stop & Lock
Auto Indexing	Yes
Motor Size	NEMA FRAME 213, 1.5 hp Direct Drive
<hr/>	
Cycle Time	18 sec (R11 22.5, 200 lb.)
Balancing Modes	11
Shaft Diameter	2" (51mm)
Overall Dimensions	72" w x 62" d
Shipping Weight	1,100 lbs
<hr/>	
Part Numbers	8K64501PHKIT (1 phase) 8K64503PHKIT (3 phase)

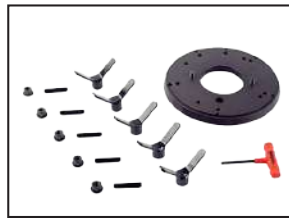
OPTIONAL ACCESSORIES



Hub Centered Cone Kit

8109877

Optional. Range 8.52"-8.89"



Stud Piloted Budd Adapter

8143935

Optional. Range 22.5"
and 24.5"

INCLUDED ACCESSORIES

Part Number	Description
8302010510	Heavy Duty Truck Kit for 50mm Shaft
8308628	Small cone with a range (2.44" - 3.12")
8308629	Med cone (2.78" - 3.16")
8308630	Large cone (2.98" - 5.06")
8308631	Truck cone (4.52" - 6.95")



- Bolt Patterns:
- 10 x 225mm
 - 10 x 222.25mm
 - 10 x 285.7mm
 - 8 x 275mm
 - 6 x 222.25mm
 - 6 x 245mm

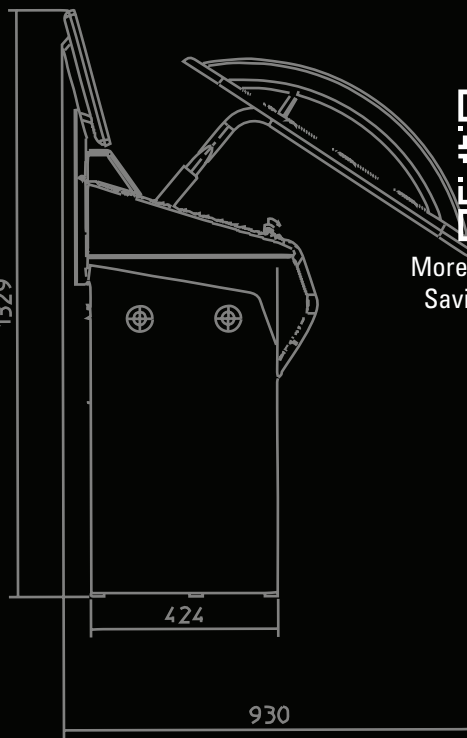
Heavy Duty Truck Kit for 50mm Shaft

8302010510

Included with 6450 Balancer Kit. Comes with spacer disk, collet, pin plate, 2 screws, 5 pins with thumb nuts

Space Saving Wheel Balancers

Designed to be compact with small footprints, Coats space savings balancers are ideal for small bays and garages, letting you utilize any shop space to its maximum potential.



More About Space Saving Balancers



1185 Wheel Balancer



36.96" x 39.60" x 52.32"

- Laser Weight Placement Guide
- Color LCD Display
- Live Position Indexing Guide
- Auto Start Hood

Electric 110V, 1Ph 8001185



885 Wheel Balancer



48" x 18" x 35"

- Auto Start Hood
- Direct Tape-a-Weight Placement
- LED Matrix, Soft Touch Buttons

Electric 110V, 1 Ph 800885

Space Saving Balancers Specifications

1185 SPECIFICATIONS

Max Wheel Diameter	30"
Max Tire Width	20"
Max Assembly Weight	130 lbs
Balancing Modes	5
Display / User Interface	LCD video display / SoftTouch key input
Data Entry	A&D Arm
Hidden Weight Mode	Yes
Laser	6 o'clock bottom center
Braking System	Automatic
Auto Start	Yes - hood close
Balancing Speed	<130 rpm
Shaft Diameter	40mm
Imbalance Resolution	0.1 oz
Electrical requirements	110V, 1 ph, 50/60 Hz, 3 amp
Shipping Weight	243 Lbs
Footprint	36.96 x 39.60 x 52.32
Warranty	1 Year Parts, 6 Months Labor
Part Number	8001185

885 SPECIFICATIONS

Wheel Diameter	10"-30"
Tire Width	2"-16"
Max Tire Diameter	38"
Max Assembly Weight	130 lbs
Balancing Modes	5
Display / User Interface	LED Matrix, Soft Touch Keys
Auto Data Entry	Distance/Diameter/Width
Behind the Spoke	Yes
Braking System	Automatic
Auto Lock	Yes
Auto Start	Yes - hood close
Shaft Diameter	40mm
Electrical requirements	110V, 1 ph, 50/60 Hz, 3 amp
Shipping Weight	242 Lbs
Footprint	48"x18"x35"
Warranty	1 Year Parts, 6 Months Labor
Part Number	800855

1185 AND 885 INCLUDED ACCESSORIES

Part Number	Description
8112098	Small A Cone
8112099	Medium B Cone
8112100	Large C Cone
8112101	Light Truck D Cone
8113175	Premium Wheel Weight Hammer
8309011	Calipers
8112103	Hub Nut
8112106	Small Pressure Drum w/Ring
8112421	Short Cone

OPTIONAL ACCESSORIES



Light Truck Cone Kit
(8113277C)



2-Jaw Slide Nut Kit
(85009998)



In-between Cone Set
(8113795)



525 Wheel Lift

This lift system reduces operator fatigue and the potential for expensive wheel damage.

800525 (for 1300/1400/1500/1600 models)

800525AUTO1415 (auto-retracting, 1400/1500 models only)

800525AUTO16 (auto-retracting, for 1600 models only)



Three Pin Plate Set for 40mm Shaft

Pin plates accurately position wheels on the balancer shaft to maximize the performance of your balancer and wheels. For 4, 5, and 6 lug wheels.

(8200000400)



Double-Sided Collet Kit

Center Bore Range: 2.04" - 5.20" (52mm - 132mm)

Provides technicians with a durable and precise mounting method. For 40mm shaft wheel balancers.

(85609499)



LT. Truck Cone Kit

Eliminates faceplate extension and spacer cone for some light trucks.

(8113277C)



Toyota Adapter Kit

The offset adapter matches the OE wheel for vehicle-like mounting on the balancer.

(85009945)



Premium Hub Nut

(85610908)



Hub Nut

(8112103)



Premium Slide Nut

(85607503)



In-Between Cone Set

(8113795)



LT. Truck Back Cone Spacer

Extends faceplate diameter for mounting larger cones behind the wheel.

(8111935)



Ford ULA 3 Degree Cone

Ultra low angle cone specified by Ford to be used on 2003 and newer F150, Expedition & Navigator wheels with adjustable Pin Plates.

(81141821)

Premium Quick Nut Repair Kit

(85607817)



Pressure Cup & Rubber Lip

(8112106)



Light Truck Kit for 40mm Shaft

Part Number (8300000400)

Designed for light-duty and medium-duty trucks, including 1500 to 5500 series trucks, the Coats Light Duty Truck Kit is easy to use and incorporate into your workflow to ensure properly centered wheels and superior balancing results.

The high-quality, durable, and corrosion-resistant parts withstand the harshest shop environments, keeping work flowing in your shop.

Compatibility

All Coats 40mm Shaft Balancers



Medium Truck Kit for 40mm Shaft

Part Number (8302010400)

The right tools deliver the right results. Accurately center large 220/221mm wheels, commonly found on medium-duty trucks, onto your balancer with the Coats Medium Truck Kit.

This complete kit lets you confidently center 6, 8, and 10-lug commercial wheels, with a backing plate that enhances static centering for precise balancing of heavy wheels.

Compatibility

All Coats 40mm Shaft Balancers



Heavy Truck Kit for 50mm Shaft

Part Number (8302010510)

When balancing large wheel assemblies on 50mm shaft balancers, the Coats 50mm Heavy Duty Truck Kit ensures correct mounting and accurate results the first time, every time.

Designed for high-volume shops, this kit features durable, long-lasting parts that maximize uptime.

Compatibility

Coats 6450 HD Balancer

All Coats 50mm Shaft Balancers

**Ideal
For Cars,
EVs, Light
Trucks,
SUVs**



More About 2 Posts

10K 2 Post

Coats 10K and 12K 2 Post lift models come with field adjustable height and width settings to accommodate your ceiling height. Coats lifts are made with reinforced parts designed to last long and reduce repair costs.

10K 2N1 Asymmetric

Great for cars SUVs, and light trucks, Coats 2N1 asymmetric lifts allow for easier door access and reduce the chances of door and vehicle damage.

4TV21NSR1	Red, Standard Height
4TV21NSB1	Blue, Standard Height
4TV21NXR1	Red, Extended Height
4TV21NXB1	Blue, Extended Height



Shown # 4TV21NSR1

10K Symmetric

Vehicle weight is centered and evenly distributed between the lift columns, making the symmetric style suitable for EV's and heavier, longer vehicles that need stability.

4TV21SSR1	Red, Standard Height
4TV21SSB1	Blue, Standard Height
4TV21SXR1	Red, Extended Height
4TV21SXB1	Blue, Extended Height



3-Stage Front and Rear arms provide longer reach and better access to hard to reach lift points.



Reinforced columns stop the lift from flexing and prematurely wearing out on components.



US made Bucher 2HP power unit is energy efficient with low noise levels and prevents excessive vibration.



Included:
» 4 Double Screw Pad Adapters
» 2 Sliding Arm Adapters
» 8pc 3" and 6" Plated Height Adapter Set

2 Post Lifts



Shown #4T212SSR1



12K Symmetric

Best for 250/2500, 350,3500, or 450/4500 model trucks, vans, and vehicles up to 8,000 lb. curb weight.

4T212SSR1 Red
4T212SSB1 Blue

12K Asymmetric

4T212NSR1 Red
4T212NSB1 Blue

Included 12K Accessories



- » 4 Double Screw Pad Adapters
- » 2 Sliding Arm Adapters
- » 8pc 3" and 6" Plated Height Adapter Set
- » 2 GM Frame Adapters



Shown #4T220SSR1



16K/20K Symmetric

Heavy-Duty 2 Post lifts are suitable for vehicles with a curb weight of 20,000 lb or less, with the weight evenly distributed on each lifting arm for safety and security.

Wider Space Between Columns

The 106 1/2" drive-thru width between columns accommodates larger, wider trucks.

Protect Against Structural Corrosion

Heavy Duty columns have a premium double baked, powder coat finish to withstand the harshest working environments.

16K/20K Accessories



Drop In Adapters (16K)

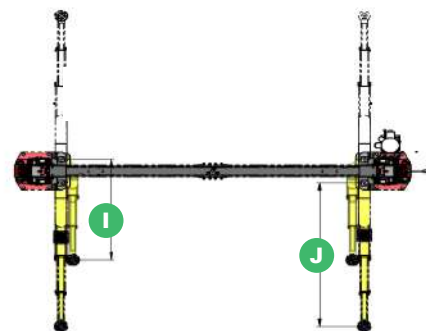
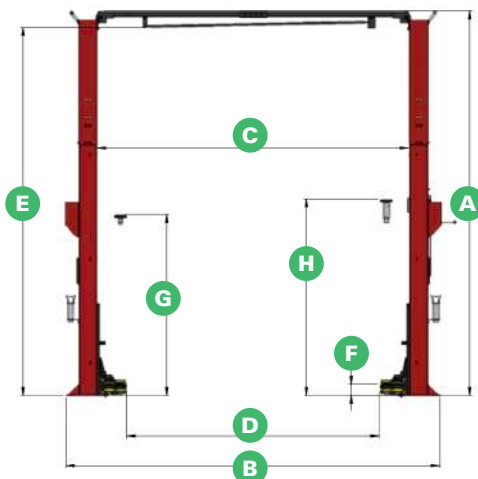


Screw In Adapter (20K)

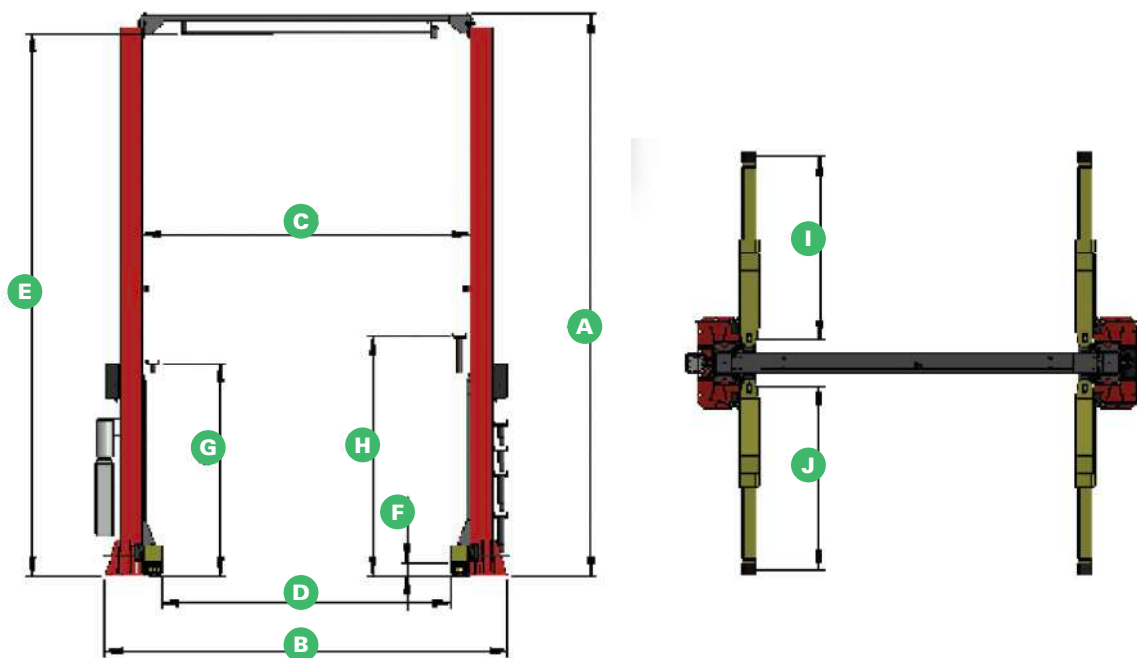
2 Post Lifts	10K 2N1	10K Symmetric	12K 2N1	12K Symmetric
Capacity	10,000 lb/4.5T	10,000 lb/4.5T	12,000 lb/5.5T	12,000 lb/5.5T
ALI Certification	Yes	Yes	Yes	Yes
A Overall Height	148" (3,759mm)	143" (3,632mm)	158 7/8" (4,035mm)	154 7/8" (3,934mm)
A Extended Height	172" (4,369mm)	172" (4,369mm)	N/A	N/A
B Overall Width	135 1/2" (3,441mm)	145 1/2" (3,696mm)	137 1/8" (3,483mm)	145 1/8" (3,686mm)
C Width Between Columns	112 3/4" (2,864mm)	122 3/4" (3,118mm)	109 3/4" (2,788mm)	117 3/4" (2,991mm)
D Drive Thru Width	92" (2,337mm)	110" (2,794mm)	89 1/8" (2,264mm)	105 5/8" (2,682mm)
E Under Bar Clearance	141" (3,581mm)	136" (3,454mm)	153 1/2" (3,899mm)	149 1/2" (3,797mm)
F Lowered Height (standard pad fully in)	4" (102mm)	4" (102mm)	3-3/4" (102mm)	3-3/4" (102mm)
G Raised Height (standard pad fully out)	78" (1,981mm)	78" (1,981mm)	77" (1,958mm)	77" (1,958mm)
H Raised Height (with extensions)	87" (2,210mm)	87" (2,210mm)	86" (2,184mm)	86" (2,184mm)
I Front Arm Reach	18" - 44" (457mm-1,118mm)	33" - 62" (838mm-1,575mm)	19 3/8" - 42" (492mm-1,067mm)	36 1/4" - 61 5/8" (921mm-1,565mm)
J Rear Arm Reach	33" - 62" (838mm-1,575mm)	33" - 62" (838mm-1,575mm)	36 1/4" - 61 5/8" (921mm-1,565mm)	36 1/4" - 61 5/8" (921mm-1,565mm)
Lifting Time	55 seconds	55 seconds	75 seconds	75 seconds
Standard Power Requirements	230V, 1PH, 60Hz, 20A	230V, 1PH, 60Hz, 20A	230 V, 1PH, 60Hz, 20A	230 V, 1PH, 60Hz, 20A
*Optional Field Adjustable at Install	**A: 138"	A: 148" and B: 135 1/2" OR **A: 138" and B: 135 1/2"	A: 154 7/8"	A: 158" 7/8 and B: 137 1/8"
Part Numbers	4TV21NSR1 / 4TV21NSB1 4TV21NXR1 / 4TV21NXB1	4TV21SSR1 / 4TV21SSB1 4TV21SXR1 / 4TV21SXB1	4T212NSR1 4T212NSB1	4T212SSR1 4T212SSB1

* Not recommended set-up, only use when there is clearance issues during install. Dimensions C, D, E change accordingly.

** Cylinders still reach up to 148" when the lift is fully raised



2 Post Lifts	16K Symmetric	20K Symmetric
Capacity	16,000 lb/7.3T	20,000 lb/9T
ALI Certification	Yes	Yes
Lifting Arms	2 Piece Symmetric	2 Piece Symmetric
A Overall Height	199 1/2" (5,067mm) (Optional Heights Available)	199 1/2" (5,067mm) (Optional Heights Available)
B Overall Width	152" (3,861mm)	152" (3,861mm)
C Width Between Columns	120 1/2" (3,061mm)	120 1/2" (3,061mm)
D Drive Thru Width	106 1/2" (2,711mm)	106 1/2" (2,711mm)
E Under Bar Clearance	192 1/2" (4,890mm)	192 1/2" (4,890mm)
F Lowered Height (Standard Lift Pad)	4" (102mm)	5" (127mm)
G Raised Height (Standard Lift Pad)	76" (1,930mm)	76" (1,930mm)
H Raised Height With Adapters	87 1/2" (2,222mm)	85 1/2" (2,127mm)
I Front Arm Reach	34" - 62" (864mm - 1,575mm)	34" - 62" (864mm - 1,575mm)
J Rear Arm Reach	34" - 62" (864mm - 1,575mm)	34" - 62" (864mm - 1,575mm)
Lifting Time	75 Seconds	75 Seconds
Standard Power Requirements	230V - 60Hz - 1Ph - 20amp 4HP/ 2 kw motor	230V - 60Hz - 1Ph - 20amp 4HP/2 kw motor
Shipping Weight	3,350 lb (1,520kg)	3,850 lb (1,750kg)
Part Numbers	4T216SSR1 / 4T216SSB1	4T220SSR1 / 4T220SSB1



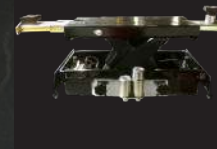
Scissor Lifts

Alignment Lift Packages

Your choice of an alignment scissor lift with included accessories needed to perform 3D alignments



Shown # 4TS140SAR1



2 Heavy Duty Rolling Jacks

5 Yr Part Warranty



Air Kit



2 Turn Plate Roll Back Bars



2 Stainless Steel Turn Plates



12,000 lb Scissor

Space saving scissor lift for light, compact cars with a 185" runway

4TS120SAR1
4TS120SAR1FM
4TS120SSR1
4TS120SSR1FM
8KSC12KITP

Alignment, Surface
Alignment, Flush
Service, Surface
Service, Flush
Alignment Kit



14,000 lb Scissor

Longer 203" runway with an extra breakout cylinder to reduce stress on the lift components

4TS140SAR1
4TS140SAR1FM
4TS140SSR1
4TS140SSR1FM
8KSC14KITP

Alignment, Surface
Alignment, Flush
Service, Surface
Service, Flush
Alignment Kit



16,000 lb Scissor

203" runway is suitable for light and medium duty trucks and has breakout cylinders for smoother lifting

4TS160SAR1
4TS160SAR1FM
4TS160SSR1
4TS160SSR1FM
8KSC16KITP

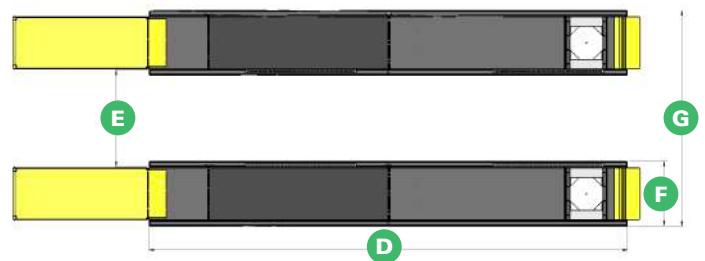
Alignment, Surface
Alignment, Flush
Service, Surface
Service, Flush
Alignment Kit



✓ Flush Mounts ✓ Surface Mounts ✓ Ramp Extensions ✓ Drive Thru Kits

More About Scissor Lifts

Scissor Lifts	12K Scissor Alignment	14K Scissor Alignment	16K Scissor Alignment
Capacity	12,000 lb/5.4T	14,000 lb/6.4T	16,000 lb/7.3T
ALI Certification	Yes	Yes	
Style	Open Front and Rear	Open Front and Rear	
A Raised Height	74" (1,880mm)	74" (1,880mm)	
B Lowered Height	10 3/4" (273mm)	10 3/4" (273mm)	
C Overall Length Standard	242 3/4" (6,166mm)	260 3/4" (6,623mm)	
D Deck Length Standard	185" (4,700mm)	203" (5,156mm)	
E Width Between Runways	41" (1,041mm)	41" (1,041mm)	
F Runway Deck Width	26" (660mm)	26" (660mm)	
G Overall Width Front/Rear	92" (2,337mm)	92" (2,337mm)	
Min 4 Wheel Alignment WB	84" (2,134mm)	84" (2,134mm)	
Max 4 Wheel Alignment WB	160" (4,064mm)	160" (4,064mm)	
Max 2 Wheel Alignment WB	164" (4,165mm)	182" (4,623mm)	
Lift Time	58 Seconds	58 Seconds	
Power Requirements	230V, 60Hz, 1 Ph, 25 amp	230V, 60Hz, 1 Ph, 25 amp	
Recommended Jacking Beam	6,000 lb/2.7 T	7,000 lb/3.2T	8,000 lb/3.6T
Shipping Weights	5,850 lb (2,653kg)	6,250 lb (2,835kg)	6,750 lb (3,062kg)
Part Numbers	4TS120SAR1 4TS120SAR1FM	4TS140SAR1 4TS140SAR1FM	4TS160SAR1 4TS160SAR1FM



4 Post Lifts

Coats 4 post lifts provide an ideal and affordable multipurpose platform for performing services and alignments on vehicles.

✓ Drive Thru Kits



More About 4 Posts

4 Post Alignment Package Includes:



2 HD Rolling Jacks



Air Kit



2 Turn Plate Roll Back Bars



2 Turn Plates



Shown #4T415OSAR1



Shown #4T419CSAR1



15,000 lb 4 Post

Standard 211" Runway

- 4T415CSAR1 — Alignment, Closed Front
- 4T415OSAR1 — Alignment, Open Front
- 4T415CSSR1 — Service, Closed Front
- 4T415OSSR1 — Service, Open Front
- 8K4P15SKITP — Alignment Kit

Extended 238" Runway

- 4T415CXAR1 — Alignment, Closed Front
- 4T415OXAR1 — Alignment, Open Front
- 4T415CXSR1 — Service, Closed Front
- 4T415OXSR1 — Service, Open Front
- 8K4P15XKITP — Alignment Kit

19,000 lb 4 Post

Standard 211" Runway

- 4T419CSAR1 — Alignment, Closed Front
- 4T419CSSR1 — Service, Closed Front
- 8K4T419CSAR1 — Alignment Kit

Extended 238" Runway

- 4T419CXAR1 — Alignment, Closed Front
- 4T419CXSR1 — Service, Closed Front
- 8K4T419CSXR1 — Alignment Kit

Rear Slip Plates

Open Runway Slots with Chrome ball bearings and open slots allow liquid and shop debris to fall through

Elevated Bearings prevent contamination and eliminates corrosion, offering free movement

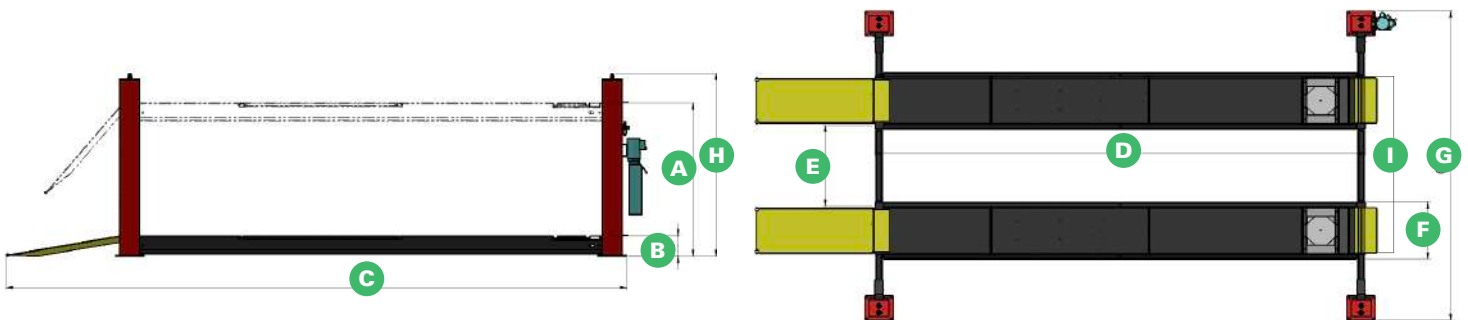


Corrosion Resistant

Powder Coat improves durability of the lift by protecting against structural corrosion

Krown Rustproofing Industrial rustproofing protection sprayed on inside and outside surfaces

4 Post Alignment Lifts	4 Post 15K Alignment		4 Post 19K Alignment
Capacity	15,000 lb/6.8T		19,000 lb/8.6T
ALI Certification	Yes		Yes
Open Front or Rear	Open Front	Closed Front	Closed Front
A Raised Height	75" (1,905mm)	75" (1,905mm)	74" (1,905mm)
B Lowered Height	8 3/8" (213mm)	7 3/4" (197mm)	10" (254mm)
C Overall Length Standard	260 1/2" (6,617mm)		274 3/8" (6,969mm)
Overall Length Extended	287 1/2" (7,303mm)		301 3/8" (7,655mm)
D Deck Length Standard	211" (5,359mm)		210 3/8" (5,344mm)
Deck Length Extended	238" (6,045mm)		238" (6,045mm)
E Width Between Runways	41" (1,041mm)		41" (1,041mm)
F Runway Deck Width	26" (660mm)		26" (660mm)
G Overall Width Front/Rear	143" / 137 1/2" (3,632mm / 3,493mm)	137 1/2" (3,493mm)	150" (3,810mm)
H Max Column Height	101 1/2" (2,587mm)	86" (2,184mm)	86" (2,184mm)
I Width Between Front Wheel Stops	87 1/2" (2,222mm)		87 1/2" (2,222mm)
Min 4 Wheel Alignment WB	84" (2,234mm)		84" (2,234mm)
Max 4 Wheel Alignment WB	164 1/2" (4,178mm)		164 1/2" (4,178mm)
Max 2 Wheel Alignment WB Standard	182" (4,623mm)		182" (4,623mm)
Max 2 Wheel Alignment WB Extended	209" (5,309mm)		209" (5,309mm)
Lift Time	70 seconds		70 seconds
Power Requirements	230V, 60Hz, 1Ph, 25 amp		230V, 60Hz, 1Ph, 20 amp
Recommended Jacking Beam	7,500 lb/3.5 T		9,000 lb/4.1 T
Part Numbers	Open: 4T4150SAR1 / 4T4150XAR1 Closed: 4T415CSAR1 / 4T415CXAR1 Alignment Kits: 8K4P15SKITP / 8K4P15XKITP		Closed: 4T419CSAR1 / 4T419CXAR1 Alignment Kits: 8K4P19SKITP / 8K4P19XKITP



Heavy Duty Lifts



30,000 lb or 33,000 lb 4 Post Service Lift

Coats Heavy-Duty 4 post lifts come in three runway lengths to accommodate trucks that are extra tall, wide, with added weight

4T430CSSR1	30K, Standard 261" Runway
4T430CXHR1	30K, Extended 297" Runway
4T430CESR1	30K, Extra Extended 333" Runway

4T433CSSR1	33K, Standard 261" Runway
4T433CXHR1	33K, Extended 297" Runway
4T433CESR1	33K, Extra Extended 333" Runway



14,500 lb or 19,000 lb Mobile Columns

Coats Mobile Columns are the perfect solution for lifting heavier vehicles in unique shop layouts with ease, offered in wired and wireless options.

4TM14C4BW	14.5K, Wireless
4TM14C4WPBW	14.5K, Wireless, Waterproof Cabinet Door
4TM14C4B	14.5K, Wired

4TM19C4BW	19K, Wireless, 4.3" LCD
4TM19C4B	19K, Wired, 4.3" LCD
4TM19C4LBW	19K, Wireless, 5" LCD
4TM19C4WPBW	19K, Wireless, 5" LCD, Waterproof Cabinet Door



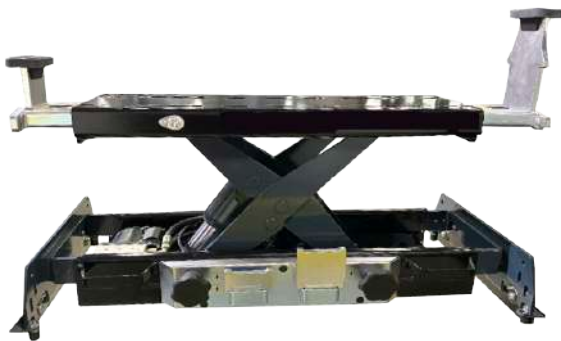
More About Mobile Columns



5 Year Parts Warranty

Heavy Duty Jacks

The strong and robust design of Coats Heavy Duty Jacks makes them ideal for assisting in lifting heavy loaded vehicles. Superior structural strength provides longer life and more precise lifting on any Coats Scissor Lift or 4 Post Lift.



1 Year Parts Warranty

Standard Jacks

Expand on your lift capabilities by adding economically priced rolling jacks to help perform brake, wheel, alignment, and other services.

Lift Capacity	Rolling Jack Capacity	Heavy Duty	Standard
12,000 lb	6000 lb/2.7 T	4TRJ6000HD	4TRJ6000HA
14,000 lb	7,000 lb/3.2 T	4TRJ7000HD	4TRJ7000HA
15,000 lb	7,500 lb/3.4 T	4TRJ7500HD	4TRJ7500HA
16,000 lb	8,000 lb/3.6 T	4TRJ8000HD	N/A
19,000 lb	9,000 lb/4.1 T	4TRJ9000HD	N/A
30,000 lb	15,000 lb/6.8 T	N/A	4TRJ15000
33,000 lb	15,000 lb/6.8 T	N/A	4TRJ15000

10,000 lb Low Rise Cantilever Pad Lift

Quick Change and Drive Thru Shops

The Coats low rise pad lift's small footprint lets you truly maximize shop space. Its drive thru design keeps the work in your shop flowing.

Efficient Lifting Power For More Uptime And Less Maintenance

- Rugged, twin hydraulic cylinders for ultimate durability and smooth lifting
- Anti-corrosion frame with powder coat finish
- Comes with USA made Bucher Pump. 220V model 4TPD10SSR1 or 110V model 4TPD10SSR4

 For Cars

 For Light Trucks



Low Pads 1 1/2" Set

#4TPDB4 (Set of 4)
#4T17106205 (Individual Pad)



Medium Pads 3" Set

#4TPDRB4 (Set of 4)
#4T17106203 (Individual Pad)



Optional Truck Pads Set

#4TPDTA4 (Set of 4)
#4T47102700 (Individual Pad)
Truck Pads are not included with the lift.

Compact Footprint

With overall dimensions 78 1/2" x 92 1/2." Lifts to 21.4" and collapses to 4" for a true, low rise, space saving solution

Lift With Pads

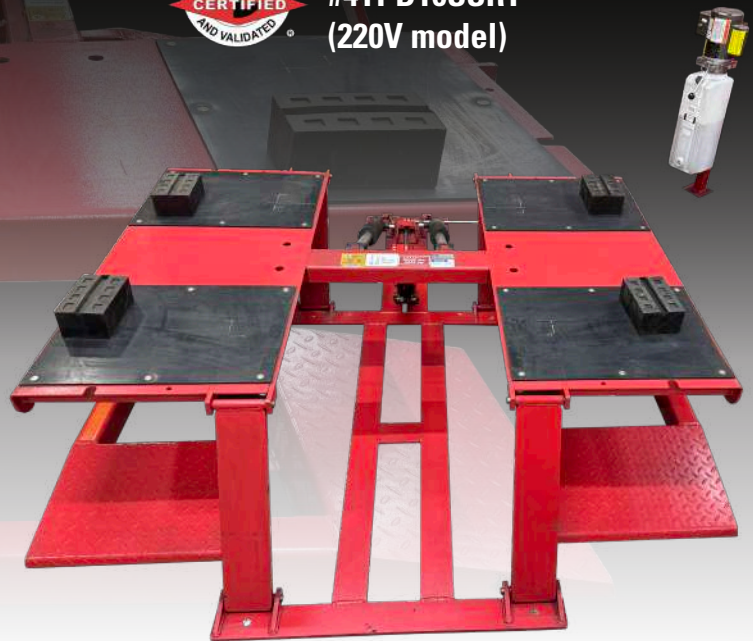
When working on vehicles with higher frames, you can protect customer vehicles by using the right sized pads to lift without damage.

Convenience

Made available with auto engaging mechanical locks and a mechanical lock foot release on either side.

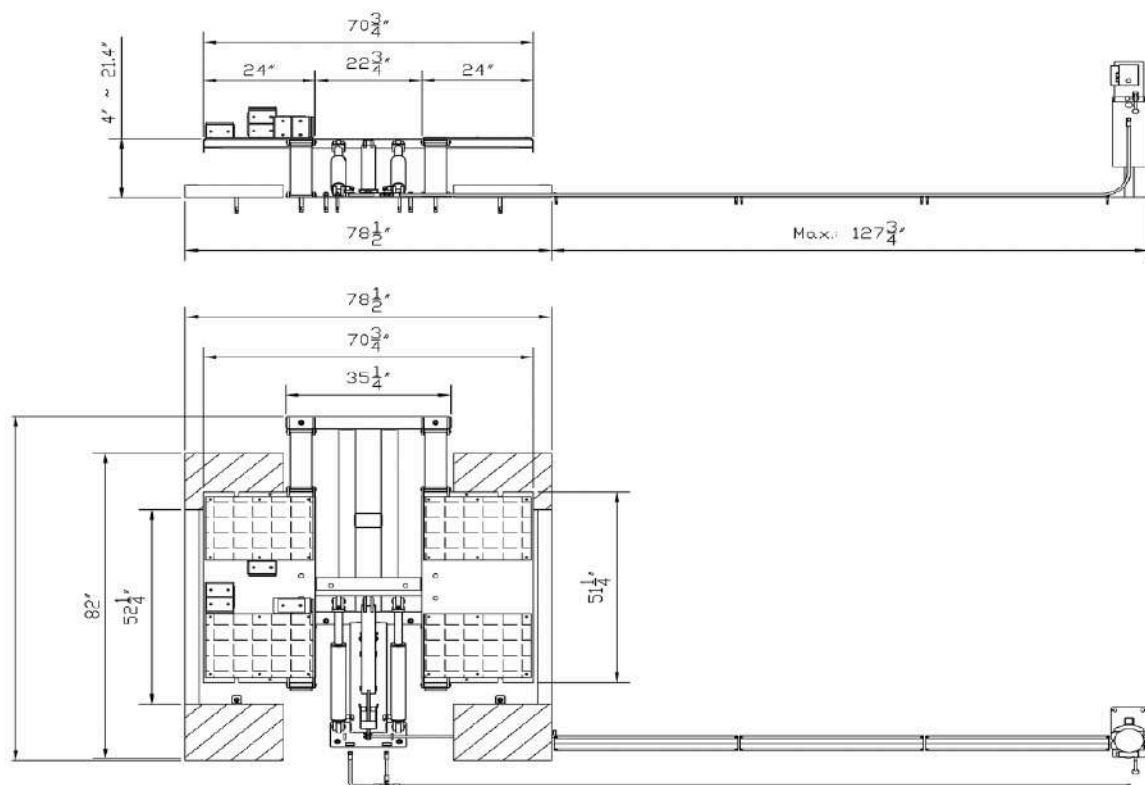


#4TPD10SSR1
(220V model)



10K Low Rise Cantilever Pad Lift

Capacity	10,000 lbs / 4.5 T
ALI Certification	Yes
Overall Dimensions (W x L)	78 1/2" x 92 1/2" (1,994mm x 2,350mm)
Deck Dimensions (W x L)	24" x 51 1/4" (610mm x 1,302mm)
Drive Over Height	4" (102mm)
Overall Lifting Height	21.4" (544mm plus adapters)
Distance Between Lifting Pads	22 3/4" (578mm)
Distance From Lift to Power Unit	127 3/4" (3,245mm)
Frame Dimensions (W x L)	52 1/2" x 78 1/2" (1,016mm x 1,816mm)
Power Supply	220V or 110V
Mechanical Lock Positions	3
Lifting Time	30 seconds
Shipping Weight	866 lbs / 393 kg
Part Number	4TPD10SSR1 (220V model) 4TPD10SSR4 (110V model)



10,000 lb Dual Scissor Lift

Tires, Brakes, Body Repair, Quick Lube

Larger capacity scissor lift with an economically designed footprint for your layout. Increasing your capacity equips your shop to service more vehicle types.

Designed for Drive-Thru and Quick Change Shop

- Lift reaches a raised height of 79" with twin hydraulic cylinders
- Efficiently engineered with an 81.9" width
- Double baked with a powder coated finish



#4TS10SSOR1 (Surface)
#4TS10SSOR1FM (Flush)



For Cars



For Light Trucks

Unobstructed Access

Open front and rear with no tire bars or torsion rods allowing increased access to many vehicles.



Surface or Flush Mount

Choose between the low profile ramps of the surface mount or the flush mount to fit your desired bay configuration.

Less Maintenance

Extra large pins with accessible grease fittings for optimal performance.



Secure by Design

Steel plate lifting legs, stainless steel hinge pins, and 21 mechanical locking positions ensure side to side stability.

Low Profile Approach Ramps

Clear accessibility for smaller compact cars while still allowing for heavier vehicles to be serviced.

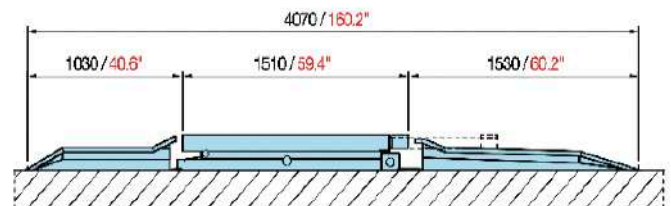
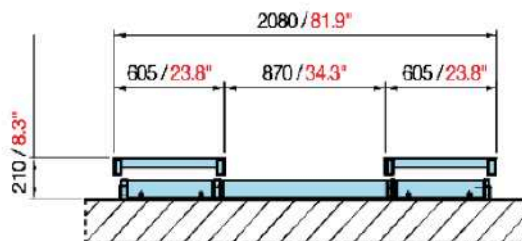
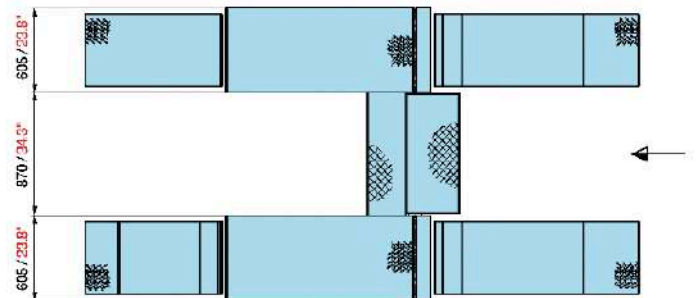
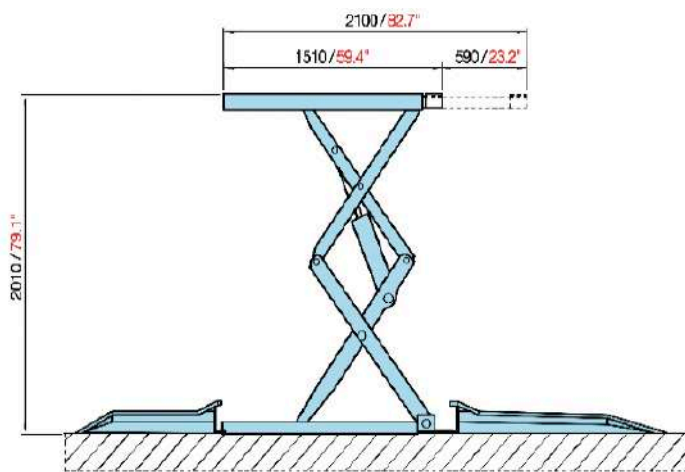


Optional Light Truck Frame Adapter

Adapter comes with 2 traverse beams and 4 lifting pads (#4TS10SR1TBA4).

10K Dual Scissor Lift

ALI Certified	Yes
Capacity	10,000 lb / 4.5T
Overall Dimensions (W x L)	Surface Mount: 81.9" x 160" (2,080mm x 4,064mm) Flush Mount: 81.9" x 60" (2,080mm x 1,524mm)
Deck Width	23.8" (605mm)
Width Between Runways	27" - 40" (686mm - 1,016mm)
Lowered Height	8.3" (211mm)
Raised Height	79.5" (2,019mm)
Lifting Time	45 Seconds
Power Requirements	220V - 60Hz - 20 amp - 1ph
Shipping Weight	2,850 lb / 1.3T
Part Number	Surface Mount: 4TS10SSOR1 Flush Mount: 4TS10SSOR1FM



*Diagrams shown are for surface mount model. Flush mount models require pit construction. Detailed pit layout available up on request.

6,600 lb Mid Rise Scissor Lift

Tires, Brakes, Body Repair, Quick Lube

Designed for shops with high cycle counts, this lift has many features to keep your shop productive. This lift provides you increased access to the undersides of vehicles easily.

Open front, rear, and center, with no obstructions between lifting decks

- Complete vehicle access with no tie bars or torsion rods obstructing
- 78 3/4" x 86 1/2" footprint
- Double baked with a powder coated finish



For Cars



For Light Trucks

#4TS6SSOR1

Flush or Surface Mount

Choose between the low profile ramps of the surface mount or the flush mount to fit your desired bay configuration.



Volumetric Control

Single cylinder with dual chamber design keeps the lift level.

Less Maintenance

Extra large pins with accessible grease fittings for optimal performance.



Multiple Locking Positions

5 locking positions ensure side to side stability and safety for technicians.

Vehicle Versatility

Pull out extensions can accommodate short and long vehicle wheelbases.

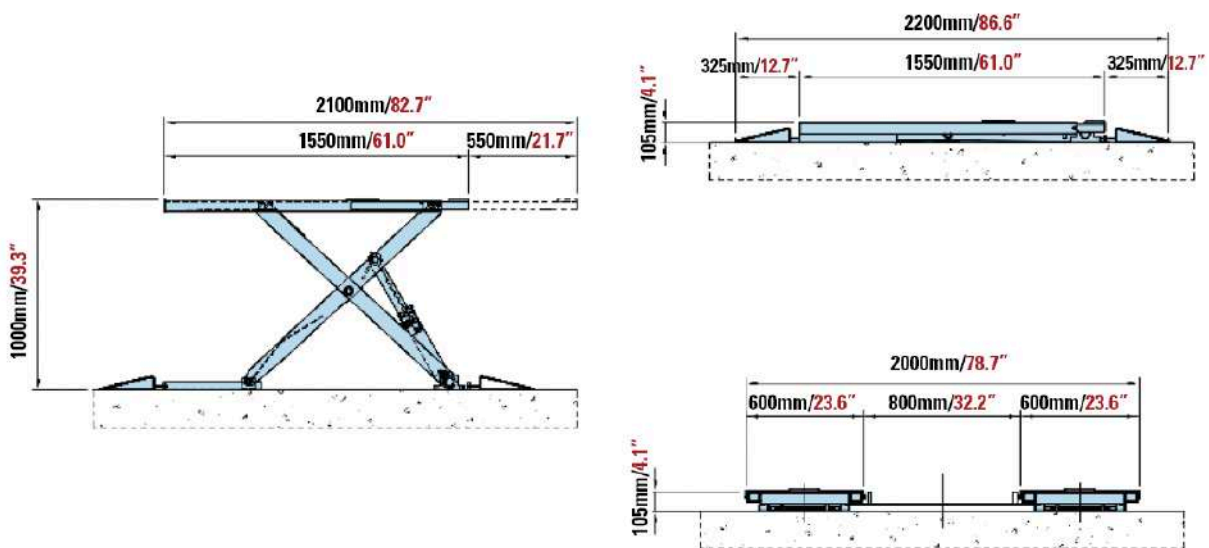


Optional Light Truck Frame Adapter

Adapter comes with 2 traverse beams and 4 lifting pads (#4TS10SR1TBA4).

6.6K Mid Rise Scissor Lift

Capacity	6,600 lb / 3.0T
Overall Dimensions (W x L)	78 3/4" x 86 1/2" (2,000mm x 2,200mm)
Lifting Pad Dimensions (W x L)	23 1/2" x 61" to 82 1/2"(Extended) (597mm x 1,550 to 2,100 mm)
Drive Over Height	4 1/8" (105mm)
Overall Lifting Height	39 3/8" and 42" with adapters (1,000mm x 1,066mm)
Number of Mechanical Locks	5
Lock Release	Air Cylinder Lock Release
Finish	Double baked with a powder coat finish
Height Adapters	4" Rubber Covered Blocks (101mm)
Equalization	Volumetric
Styles	Surface mount or flush mount
Pull Our Deck Extension	Yes
Power Supply	220V - 12 amp; 1ph, 2HP / 1.5kw
Shipping Weight	850 lb / 385 kg
Part Number	4TS6SSOR1



6,000 lb Mid Rise Portable Lift

Tires, Brakes, Detailing

Whether it's hobby or commercial use, this portable lift ignites new opportunities for conducting various types of services. We include multiple adapters to enhance, as well as add safety and performance features.

USA Made Bucher Pump for Maximum Lifting Power

- Large, barrel wheels for easy rolling on multiple floor types
- Twin hydraulic cylinders for smooth raising and lowering
- Double baked with a powder coated finish



#4TLM6R1 (220V, 2HP)
#4TLM6R4 (110V, 1HP)



For Cars



For Light Trucks

Fail-Safe Features

7 auto-engaging locks keep technicians safe.

Compact Footprint

40" x 99 3/4" footprint to fit any shop layouts.

Underbody Access

Lift up to 55 1/2" with use of adapters for improved visibility.



Included Adapters

Sliding height adapters 1 1/2", 2 1/4", and 5 3/4" (38, 57, 146 mm) with rubber contact pads.



Bicycle Style Lock Release

Mechanical lock release hand grip is positioned away from the lift for safety and ease of use.

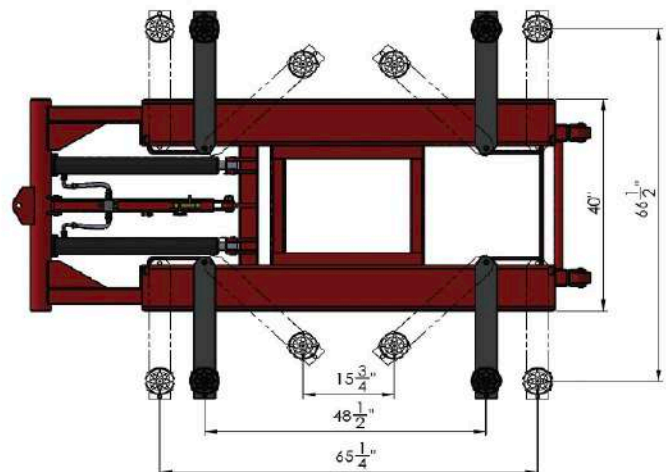
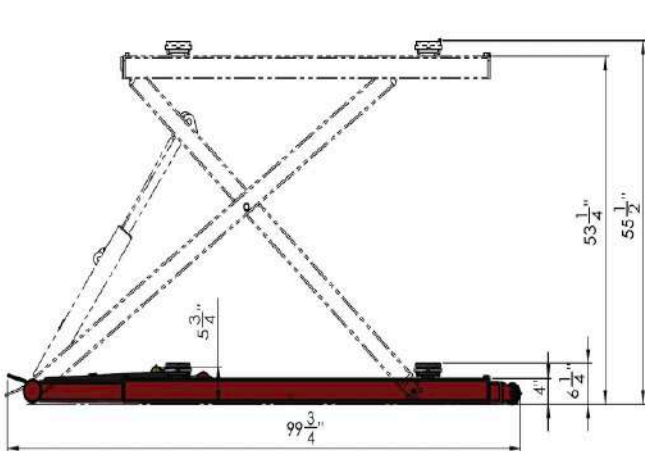


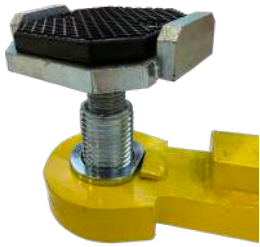
Extra Long Arms

27" swing arms let you reach more car and truck lifting points.

6K Mid Rise Portable Scissor Lift

Capacity	6,000 lb / 2.7 T	
Overall Dimensions (W x L)	40" x 99 3/4"	(1,016mm x 2,533mm)
Frame Dimensions (W x L)	40" x 71 1/2"	(1,016mm x 1,816mm)
Drive Over Height	5 3/4"	(140 mm)
Overall Lifting Height	54" and 55 1/2" with adapters	(1,371mm and 1,409mm)
Number of Mechanical Locks	7	
Lock Release	Motorcycle Hand Grip	
Finish	Double bake powder coat	
Included Height Adapters	1 1/2," 2 1/4," 5 3/4" Drop In Stacking Adapters (38mm, 57mm, 146mm)	
Swing Arms	4"-27" (685mm)	
Arm Reach Front to Back	15 3/4" - 65 1/4" (400mm - 1,657mm)	
Arm Reach Side to Side	42" - 66 1/2" (1,067mm - 1,689mm)	
Power Supply	110V 15 amp, 1ph 220V 15 amp, 1ph	
Lifting Time	30 seconds	
Shipping Weight	800 lb / 362 kg	
Part Number	4TLM6R1 (220V) 4TLM6R4 (110V)	





Double Screw Pad Adapter
#4T42100042 (Individual)

Set of 4 included with:

- ✓ 10K
- ✓ 12K



Round Double Screw
#4T42100036 (Individual)

Round style rubber contact area for EV lifting



Sliding Arm Adapters
#4T2PHA (Set of 2)

Set of 2 included with:

- ✓ 10K
- ✓ 12K



EV Adapter Set
#4TTESLA

For most Teslas and other EV models (4 pcs with case)



3" & 6" Nickel Plated Height Adapters Sets
#4T2PTA36 (Set of 8 pcs.)

Set of 8 pcs included with:

- ✓ 10K
- ✓ 12K



Low Profile EV Arm Adapters
#4T2PEV4 (Set of 4)

Using this adapter lowers the 10K Lowered Height down to 3" and the 12K Lowered Height down to 2 3/4"



GM Frame Adapter
#4TGMTA (Set of 2)

Set of 2 (Optional with 10K) included with:

- ✓ 12K



EV Rubber Block Adapters
#4T2PRBEV (Set of 4)

4" x 5" x 1" rubber contact block for added protection



Air Electric Station with Tool Holder
#4TAEPS (Individual)

Compatible with 10K/12K 2 post and 4 post lifts.



Screw In Adapter
#4T2TA20

Saddle style, 10" tall screw in adapter for the 20K 2 Post. Sold Individually



Moveable Work Step

#4TMWS (Set of 2)

Removable platforms with non slip surface



Stainless Steel Front Turn Plates

#4TSSTP (Set of 2)

Heavy duty turn plates for alignments

Alignment Lift



Rolling Waste Oil Drain

#4T4RWOD

30 gallon capacity with anti-slosh baffles or draining engine fluids



Turn Plate Roll Back Bars

#4TTPRBB (Set of 2)

Provides a smooth transition between front turn plates and the runway

Alignment Lift



LED Lighting Kit

#4TLED1 (Set of 2)

Factory installed LED Runway Lighting Kit



Turn Plate Pocket Fillers

#4TSTPF (Set of 2)

Covers that replace the front turn plates

Alignment Lift



Low Profile Ramp Extensions

#4TLPRE (Set of 2)

Non-slip, bolt-on, 3 foot long ramps used for tighter shop spaces and lowered vehicles



Tire Inflation Kit

#4TTIL (Set of 4)

Built in tire inflation hoses with pressure gauges on each side of the runway



Air Kit

#4TSKAT

Factory installed for technicians to use air tools. Disconnects not provided



Pneumatic Locking Rear Slip Plates

#4TSLRP

Factory installed pneumatic locking slip plates for scissor alignment lifts

Alignment Scissor Lift



Pro Series

CWA 6500 3D Wheel Aligner

The CWA 6500 is for high-volume or luxury vehicle shops needing advanced features. It includes every aligner feature and accessory essential to perform wheel alignments easily and scales with your business.

8006500

Included Accessories

- ✓ 4 QC Tire Gripping Clamps
- ✓ 4 Standard Clamps
- ✓ VIN Scanner
- ✓ Printer
- ✓ Black Diamond Mini Targets
- ✓ Brake Depressor
- ✓ Steering Wheel Holder
- ✓ Wheel Chocks



SEE THE 1600 IN ACTION



Self Centering Tire Clamps

- Extendable clamps up to 43"
- No need for swapping out adjustable arms
- No metal to metal contact
- Quickly install with one turn
- QC20 clamps are self-centering
- Align specialty wheels without damage

Custom Measurements

Add and save custom alignment specs for specific vehicles for current and future services.



VIN Scanner

The handheld VIN scanner comes standard for faster convenience when checking in customer vehicles.



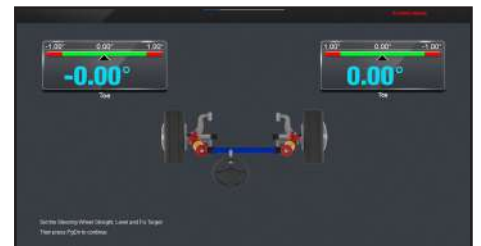
Flexible Roll Options

With a total of six roll options, you're able to do the preferred roll for that specific vehicle.



All Measurements Screen

See all of the alignment angles at once, verifying your customers complete vehicle condition.



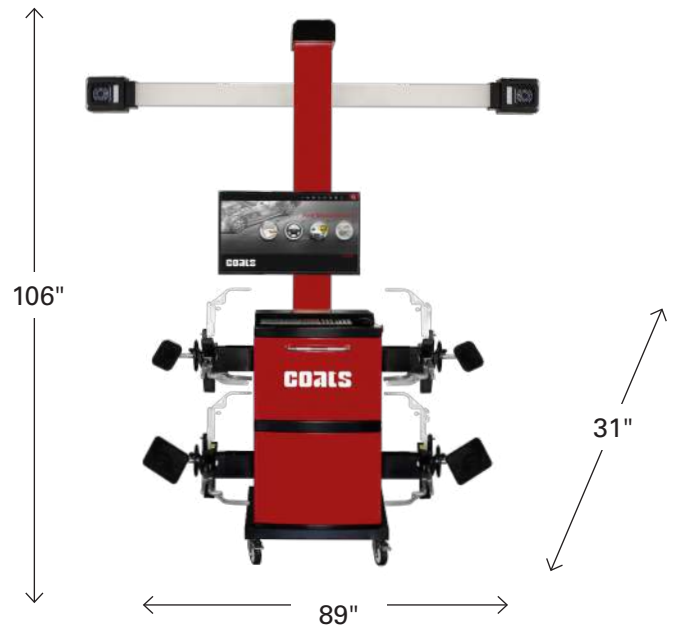
Toe Plus

Step-by-step guide that helps the technician achieve a straight steering wheel while adjusting front toe.

CWA 6500 3D Aligner Specifications

Minimum Installation Distance	71"
Maximum Installation Distance	120"
Recommended Installation Distance	95"
Self-Centering Wheel Clamp (4)	13" - 24.5" on rim
QC20 Tire Gripping Clamps (4)	20" - 43" on tire
Monitor	32"
Motorized Camera Beam	89"
VIN Scanner	Standard
Electrical Requirements	115v 1PH, 15 amp
Part Number	8006500

EQUIPMENT FOOTPRINT



INCLUDED CWA 6500 ALIGNER ACCESSORIES



VIN Scanner and Printer



Black Diamond Mini Targets (set of 4)



Tire Gripping QC Clamps (set of 4)



Standard Clamps (set of 4)



Brake Depressor
Steering Wheel Holder
Wheel Chocks (2)



CWA 6000 3D Wheel Aligner

Ideal for lower volume shops, the CWA 6000 3D Aligner is the perfect, simple, entry level alignment machine that's compact and suitable for shops with challenging layouts. It's a budget conscious solution that provides all of the basics that you need to start performing alignments.

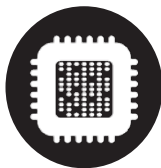
8006000

Included Accessories

- ✓ 4 Standard Clamps
- ✓ Black Diamond Mini Targets
- ✓ Brake Depressor
- ✓ Steering Wheel Holder
- ✓ Wheel Chocks

Custom Measurements

Add and save custom alignment specs for specific vehicles for current and future services.



**WINDOWS
BASED PC**



**LCD
SCREEN**

ALIGNER DIFFERENCES

FEATURES	CWA6500	CWA6000
Advanced features like QC20 clamps, VIN scanner, and motorized post adjustments for precise and efficient alignments.	✓	
Compact and space-efficient design, ideal for shops with limited space or unique layouts.	✓	✓
Affordable entry-level pricing with essential tools for straightforward alignment tasks.		✓
Precision alignment capabilities with advanced camera technology and accessories.	✓	
Scalability for growing shops with advanced technology to handle increasing alignment demands.	✓	

CWA 6000 Aligner Specifications

Minimum Installation Distance	90"
Maximum Installation Distance	120"
Recommended Installation Distance	95"
Self-Centering Wheel Clamp (4)	13" - 24.5" on rim
QC20 Tire Gripping Clamps (4)	Not Included, available for purchase.
Monitor	23"
Motorized Camera Beam	Not Available
VIN Scanner	Not Included, available for purchase.
Electrical Requirements	115v 1PH, 15 amp
Part Number	8006000

INCLUDED CWA 6000 ALIGNER ACCESSORIES



Black Diamond Mini Targets (set of 4)



Standard Clamps (set of 4)



**Brake Depressor
Steering Wheel Holder
Wheel Chocks (2)**



COATS INSPECTION LANE

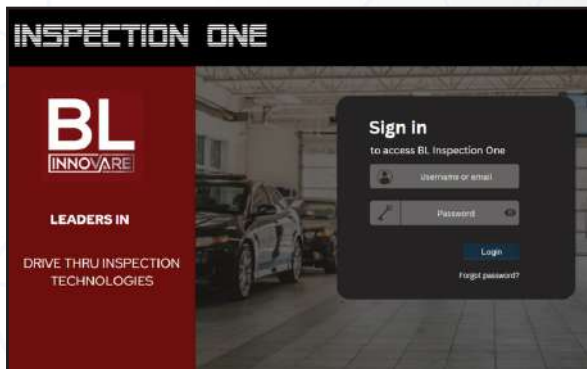
Automate Vehicle Inspections to Drive Revenue and Build Trust.

Coats' touchless drive-through Inspection Lane gives you virtually instant access to the critical-to-revenue data you need to increase your upsell opportunities, while protecting your business against unwarranted vehicle damage claims and accelerating throughput in your express bay.

Streamline your DVI Process.

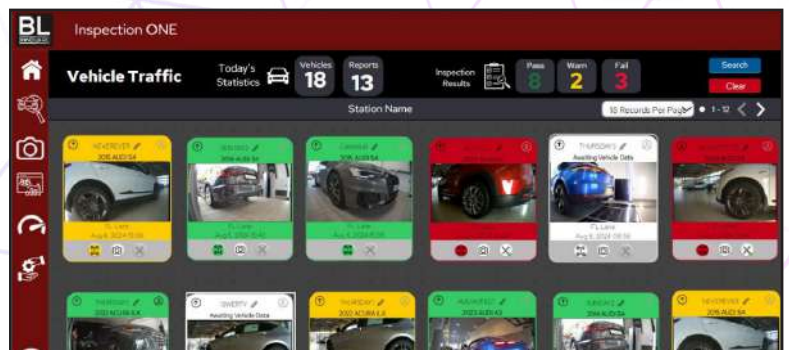
Collect actionable information on vehicle alignment status to specs and tread depth, while simultaneously scanning for existing vehicle body damage - all in a matter of seconds. No stopping, no labor needed.

PLUS Model Alignment Check Towers



Unified Software

Access consolidated inspection information from a single platform that provides a detailed inspection report for each customer. Not only does this provide immediate upsell opportunities, but it builds trust with your customers.



Catalog all Vehicle Inspections

Using smart license plate decoding technology, the Coats Inspection Lane maintains your inspection records and results for future reference and analysis.

TOUCHLESS AUTOMATED SIMPLE.



Flush Mount Tread Depth Scanner



Measures Alignment

Instantly analyze vehicle alignment vs. specifications, helping you sell more alignments while maximizing your customers' tire life.



Measure Tread Depth

Measure tread depth with exacting precision to identify tire sale opportunities while keeping your customers safe.



Scans for Body Damage

Scan a full 360* (Plus model only) for tire, rim & body damage, protecting you from fraud and erroneous claims.



Insight Hub

Overview of inspections completed, along with upsell opportunities and team performance.



Detailed Specification Reports

Easily provide customers with instant specification reports about their vehicles.

ALIGNMENT CHECK TOWERS

Alignment check & vehicle exterior scanning all in one.

Boost alignment sales while protecting your shop from body damage disputes. The alignment check towers use high-grade lasers to measure alignment angles as vehicles pass through—no stopping required. Both the Plus and Evo models scan for body damage, with the Plus offering a more comprehensive exterior scan. Instant, time-stamped reports not only help identify misalignment issues and drive alignment sales but also provide clear documentation to reduce liability and protect against false damage claims.

ALL-IN-ONE DESIGN

Do it all at once

Simultaneously check alignment and body damage to ensure that your dealership and customers are safe.

HIGH-DEFINITION CAMERAS



Capture all nooks & crannies

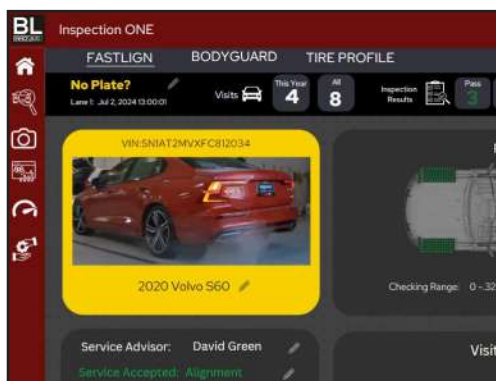
Easily scan hard to spot scratches and damage on the exterior finish of vehicles. Zoom-in up to 400%.

CLOUD-BASED DASHBOARD

Easily accessible information

Catalog vehicles by license plate, VIN, and date/time. Easy to navigate for service technicians.

LICENSE PLATE SCANNING



Catalog vehicle specifications

Organize your service bay vehicles with the smart license plate decoder. Touchless, and compact design.

Evo**Plus**

Plus Model



Laser Alignment Check	✓	✓
Upper Body Panel Scanning		✓
Lower Body Panel Scanning	✓	✓
Tire/Rim Scanning	✓	✓
License Plate Scanning	✓	✓
Real-Time Vehicle Push Notifications	✓	✓
Customer Viewing Dashboard	✓	✓
Managerial Dashboard	✓	✓
API For Integrations	✓	✓

Evo Model



Automate your Inspections

NO STOPPING

- Touchless drive through
- Compact Design
- No labor

CAPTURE PRE-EXISTING DAMAGE

- High-Intensity smart lighting
- Enhanced tire/rim scanning
- Full 360 vehicle coverage (Plus model only)

Identify Upsell Opportunities in 3 seconds

- Smart license plate decoder
- Alignment to specifications instantly
- Provide customer reports in seconds

TREAD DEPTH SCANNER

Touchless tire tread scanning to boost tire sales.

Effortlessly boost tire sales with instant tread depth reports. As vehicles drive over the Coats tread depth scanner, state-of-the-art cameras measure all four tires across three positions, identifying wear in seconds. With no moving parts or compressed air required, it provides a low-maintenance way to highlight replacement needs and drive more sales.

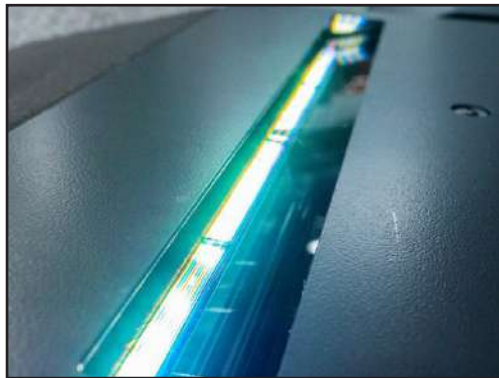
QUICK & EASY INSTALLATION



Same day installation

Installation requires very little effort. Surface mount models can be installed in the same day!

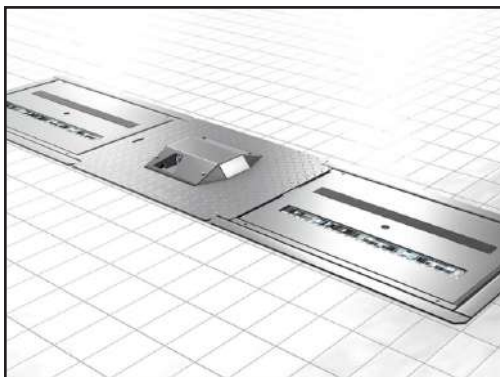
LED SCANNING



Dedicated camera

Utilizing LEDs, the tread depth scanner picks up 300+ points to analyze tread depth.

LOW MAINTENANCE



Simple design

With its simple design, the tread depth scanner utilizes no compressed air, no moving parts, and no lasers.

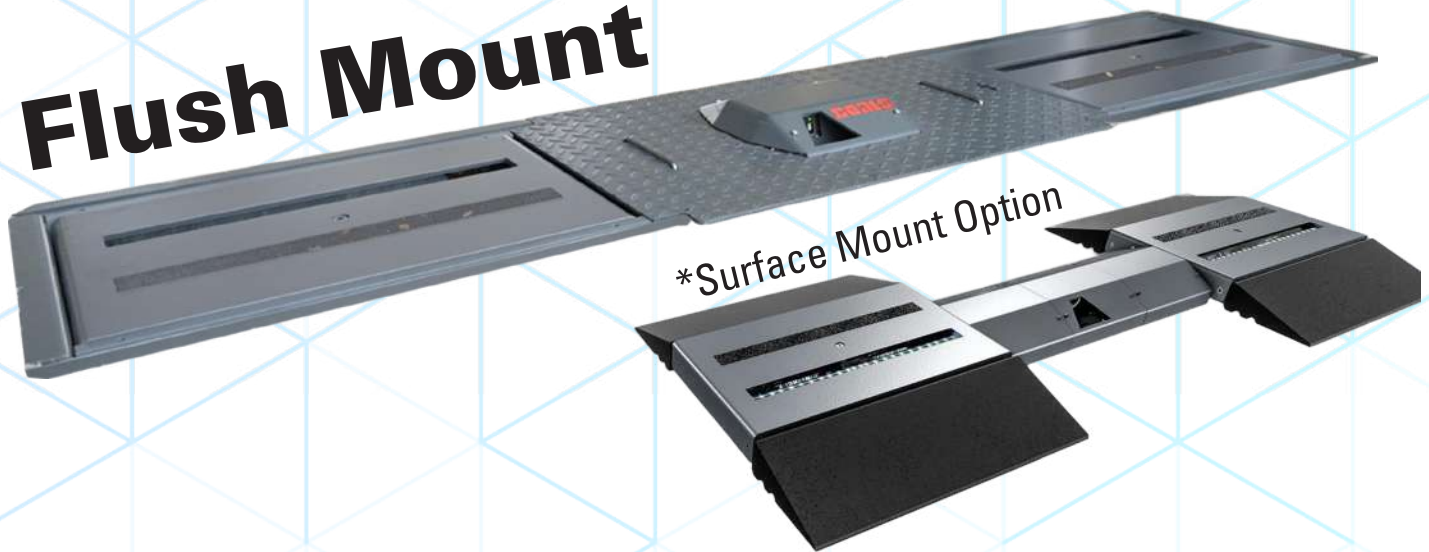
FLUSH & SURFACE MOUNT



Two-separate configurations

The tread depth scanner comes in two configurations, adaptable for your specific needs.

Flush Mount



Know the condition of your customers tires as they drive in.

NO MOVING PARTS

- Weather & wear resistant
- Simple design
- Low maintenance

COMPACT DESIGN

- Flush & surface mount options
- Applicable to any shop

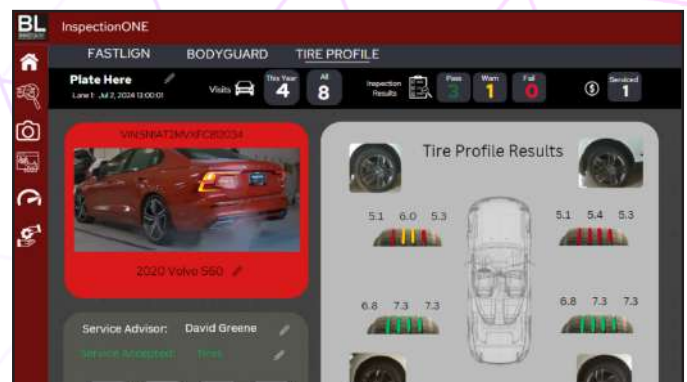
REAL-TIME ANALYSIS

- Instant results for customers
- Easily convert sales
- Reports in seconds



Detailed Reports

Instantly get readable specifications of customer tires.



Intuitive Interface

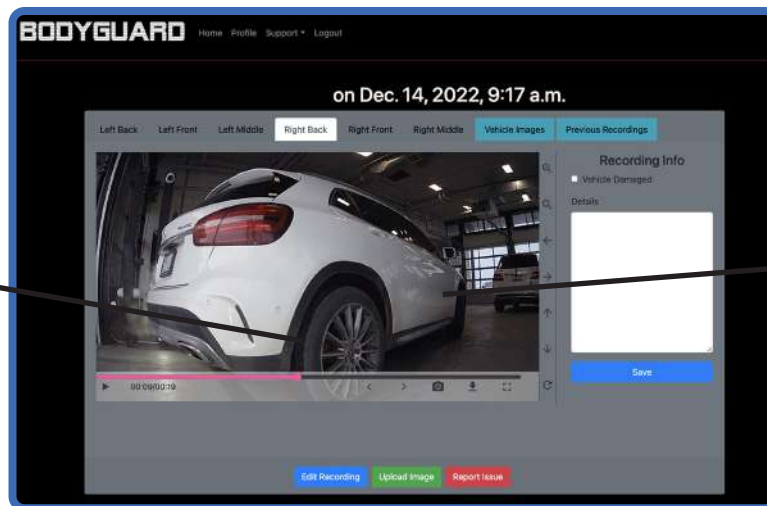
Easy to navigate interface for technicians to utilize and organize information.

BODYGUARD

The Coats BODYGUARD captures the state of the vehicles' exterior as it enters or exits your service bay using HD cameras and automatic high-powered LED lights. Images and videos are automatically logged into the cloud storage platform for future reference.

» MULTI-PURPOSE

Applicable everywhere. Including, dealerships, car washes, tire shops, service bays, auto auctions, rental services, valet parking, etc.



Captures Rim Damage

Easily Spot Body Damage

» Top and 360° views in one screen

» Information retrievable by license plate or date

» See historical vehicle conditions easily and quickly

» ALL-IN-ONE

Security cameras in bays aren't enough. They lack searchability, backups, complete angles, proper lighting, and high resolution. If it's not a Bodyguard, it's simply cameras on a pole.

» FRAUDULENT CLAIMS

If you don't have a damage detection system in place, you're leaving your shop open to fraudulent damage claims.



Specifications

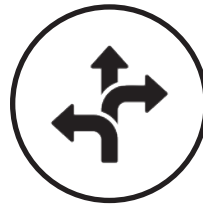
Bodyguard (Vehicle Damage Defender)

85200016, 85200021, 85200023, 85200022, 85200020



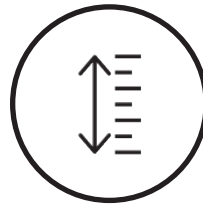
Protect Your Shop

The Bodyguard captures body damage with high def camera photo and video, providing time-stamped documentation to help protect your shop from liability and customer disputes.



Flexible Placement

The COATS Bodyguard can be placed inside or outside. Flexible to fit your needs.



Detect Damage at Any Height

Choose between our standard 6'10" model or our 9' 7" tall model. Capture passenger sedans to light-duty trucks.

ITEM	DIMENSIONS	WEIGHT
Bodyguard Tower	174mm x 133mm x 2127mm 6.9" x 5.2" x 83.7" Standard 6'10", Tall 9'7" Including Cameras: 245mm x 364mm x 2127mm 9.7" x 14.4" x 83.7"	29kg 63lbs
Bodyguard Server Box	406mm x 477mm x 128mm 16" x 19" x 5"	14kg 30lbs
Shipping Dimensions	1220mm x 1016mm x 762mm 48" x 40" x 30"	86kg 190lbs
ELECTRICAL SPECIFICATIONS		
Operating Temp	0°C- 50°C	
Power Draw	300W	
Environment	Indoor/Outdoor	
Internet Speed	Min 15 Mbps Upload Speed	

Tall Model

Standard Model



Specifications

Alignment Check Towers 800FLPLUS, 800FLEVO

Front View
Dimensions in mm



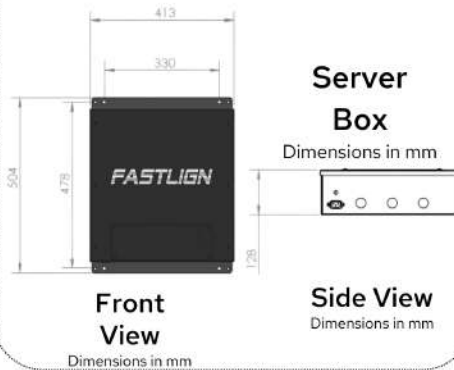
Side View
Dimensions in mm



Same Dimensions for PLUS & EVO Versions

Bottom View

Dimensions in mm



Front View
Dimensions in mm



Side View
Dimensions in mm



Tread Depth Scanner 800ETOC, 800ETFC

Footprint (surface mount with ramps)	3.22 in x 88.39 in x 40.94 in (81.78 mm x 2245.10 mm x 1039.87 mm)
Maximum scan width	17.7 in (450 mm)
Measurement accuracy	.01 in (.25 mm)
Maximum vehicle speed	5 mph (8 km/hr)
Cycle time with permitted speed range	10 Seconds
Power	100-240VAC / 50 - 60Hz
Maximum load axle weight	8,818 lbs (4 tonnes)
Environmental rating (sensors)	IP65
Operating temperature range	-13°F to 113°F (-25°C to 45°C)
Communication	Wireless / LAN
Data outputs	Wear patterns and tread depths
Warranty	1 Year Parts, 6 Months Labor
Part Number	800ETOC(surface), 800ETFC (flush)



Limited Warranty

	Product	Parts	Labor & On Site Charges
TIRE CHANGERS	APS Series Tire Changers, 9028 Tire Changer	1 Year ^B	6 Months
	X Series, APX Series, Maxx Series (2023), 80C/90C Tire Changers	3 Years ^{A,B}	6 Months
	RC Series Rim Clamp Tire Changers	1 Year ^B	6 Months
	All Heavy Duty Tire Changers	1 Year	90 Days
	Tire Changer and Inflation Accessories	1 Year ^C	No Labor Warranty
WHEEL BALANCERS	Model 775 / 885 / 1185	1 Year ^D	6 Months
	APS Series Wheel Balancers	1 Year ^D	6 Months
	Model 1300 / 1400 / 1500 / 1600 / E900	3 Years ^F	6 Months
	Direct Drive Motor (On Models 1300 / 1400 / 1500 / 1600 / E900)	10 Years ^G	No Labor Warranty
	Model 6450 Heavy Duty	1 Year ^E	6 Months
	Model 6450 Heavy Duty Motor	3 Years	No Labor Warranty
	Model 6275 Heavy Duty	1 Year	6 Months
	Balancer Accessories	1 Year ^{C,H}	No Labor Warranty
ALIGNERS	CWA 6500 3D Wheel Aligner	1 Year ^I	6 Months
	CWA 6000 3D Wheel Aligner	1 Year ^I	6 Months
	QC20 Tire Gripping Wheel Clamps	30 Days	30 Days
INSPECTION	Coats Tread Depth Scanner System	1 Year ^J	6 Months
	Coats EVO and Plus Alignment Check Towers	1 Year ^J	6 Months
	Coats Bodyguard	1 Year ^J	6 Months
LIFT PRODUCTS*	Low Rise and Mid Rise Lifts	1 Year ^K	1 Year
	Full Rise Double Scissor Lifts	1 Year ^K	1 Year
	2 Post Lifts "V"	1 Year ^K	6 Months
	4 Post and Scissor Service Lifts and Alignment Lifts	1 Year ^K	1 Year ^K
	Heavy Duty Lifts (16K 2 Post, 20K 2 Post, 30K, 33K, Mobile Columns)	1 Year ^L	1 Year
	Jacking Beam - HD Models Only	5 Years ^K	No Labor Warranty
	Lift Accessories	90 Days ^C	No Labor Warranty

All warranties commence on the date of delivery to the first retail buyer or date of first use, whichever is earlier.

- (A) 1 year warranty on air operated cylinder components, valves, seal kits, rotary coupling, rubber hoses and air lines. Effective on machines placed in service after January 01, 2014.
- (B) 5 years Transmission (pro-rated after three years) Customer pays 60% of current list part price between 3rd and 4th year. Customer pays 80% of current list part price between 4th and 5th year. Effective on machines placed in service after January 01, 2014.
- (C) During warranty, user pays freight to Authorized Service Center, Coats Company, LLC pays return freight to end user.
- (D) 2 years on motor and main processor printed circuit board.
- (E) 3 years on motor and main processor printed circuit board.
- (F) 3 years on inverter, piezos, and printed circuit boards. 1 year on Touch Panel / Display and all other parts.
- (G) 10 years on direct drive motor (pro-rated after 5 years) Customer pays 50% after 5th year, 80% after 8th year
- (H) 90 days on all Balancer Wheel Lifts
- (I) 1 year warranty on aligner and all electronic components to include PC and cameras.
- (J) 1 year warranty on modules and all electronic components to include ANPR cameras.
- (K) 1 year freight on all parts.
- (L) 2 years on hydraulic parts.
- *5 Years on Lift Structural Parts: columns, carriage blocks, overhead support, arms
- *2 Years on Lift Hydraulic Parts: power lift, hydraulic lines, hydraulic cylinders

For Warranty Service in the United States: **Call 1-800-688-9240**
 For Warranty Service in Canada: **Call 1-877-801-1405**
 Coats Company, LLC 1601 J.P. Hennessy Drive LaVergne, TN 37086

Limited Warranty

Coats Company, LLC warrants all Coats Tire Changers, Computer Wheel Balancers, 3D CWA6500 Aligner, Lift Products, Alignment Check Systems, and Inflation Equipment products described below to be fit for normal use and free from defects in materials and workmanship when these products leave the control of Coats Company, LLC.

All warranties commence on the date of delivery to the first retail buyer or date of first use, whichever is earlier.

Warranty applies only to defects in materials and workmanship discovered and reported to Coats Company, LLC within the warranty period specified above. The exclusive remedy for any breach of this warranty shall be the repair or replacement, at the option of Coats Company, LLC, of any defective part or parts, free of charge including labor per the above schedule, by the designated Coats Company, LLC Authorized Service Center. This warranty shall not apply when failure is caused by the purchaser's misuse, abuse, neglect, tampering, or by unauthorized alterations or repairs. Coats Company, LLC will not be responsible for loss of business or wages due to a product failure during the warranty period.

Air operated components must be supplied with clean, dry air. Failures due to air system contamination including, but not limited to water, rust, foreign debris are not covered. This warranty shall not apply to machines used in commercial applications in a production environment. This warranty excludes regular maintenance required in the ordinary use of the products specified above, including replacement of items, periodic machine calibration, and supplies ordinarily used up, consumed or worn out during normal use. Wear Items include but are not limited to wheel protectors, boots, booties, nylon mount/demount head, drive belt, grip max clamp inserts, bead loosener pads, and rubber pad inserts.

This warranty extends only to the original using purchaser and is not assignable or transferable either voluntarily or by operation of law. This warranty applies only to equipment sold and used in Canada and the United States (Excluding U.S. possessions such as Guam and Puerto Rico). For equipment sold and/or used outside of Canada or the United States of America, no warranty is made or implied, except the warranty available by and through Coats Company, LLC's authorized importer/distributor in the country in which the equipment is used. Coats Company, LLC reserves the right to make changes in design and/or improvements to its products without any obligation to include these changes in any products previously manufactured.

THERE ARE NO WARRANTIES WHICH EXTEND BEYOND THE DESCRIPTION ON THE FACE HEREOF. THIS WARRANTY IS IN LIEU OF ANY EXPRESS OR IMPLIED WARRANTIES, INCLUDING ANY IMPLIED WARRANTY OF MERCHANTABILITY OR FITNESS OF ANY PURPOSE AND OF ANY OTHER OBLIGATION ON THE PART OF THE SELLER. UNDER NO CIRCUMSTANCES SHALL COATS COMPANY, LLC BE LIABLE FOR ANY CONSEQUENTIAL OR INCIDENTAL DAMAGES. COATS COMPANY, LLC INC NEITHER ASSUMES NOR AUTHORIZES ANY PERSON TO ASSUME FOR IT ANY OBLIGATION OR LIABILITY OTHER THAN AS HEREIN EXPRESSLY STATED.

For Warranty Service in the United States
Call 1-800-688-9240
Coats Company, LLC 1601 J.P. Hennessy Drive LaVergne, TN 37086

For Warranty Service in Canada
Call 1-877-801-1405

Visit Our Website

coatscompany.com

Call Us

800-688-6359

Email Us

dispatch@coatsconnect.com

 /coats-company

 @thecoatscompany

 @thecoatscompany

 @thecoatscompany

Scan the QR
code to reach our
contact page or visit
[coatscompany.com/
contact](https://coatscompany.com/contact)



COATS

*Disclaimer: Coats Company, LLC is constantly updating their products to maintain the highest possible standards of performance and safety. The specifications, descriptions, and photos in this brochure are only accurate at the time of printing and are subject to change with or without notice.